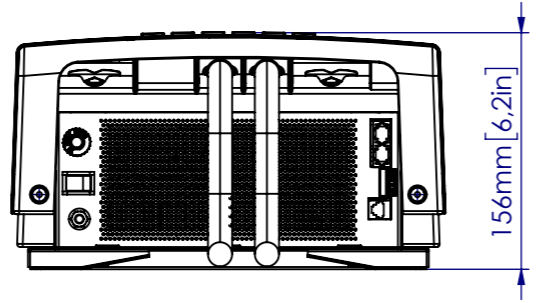
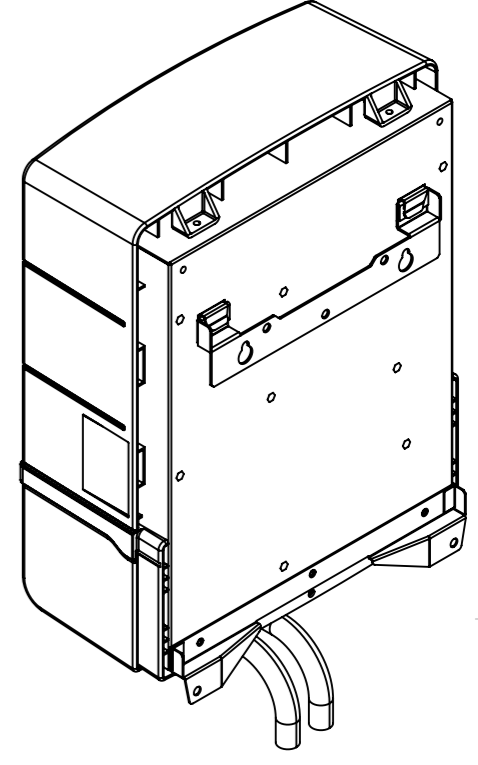
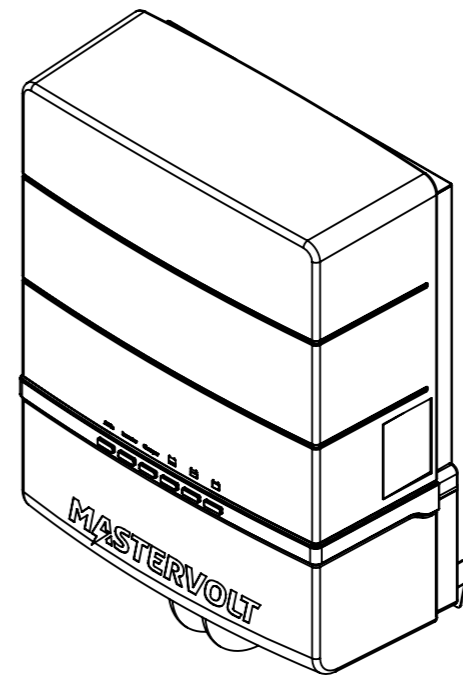
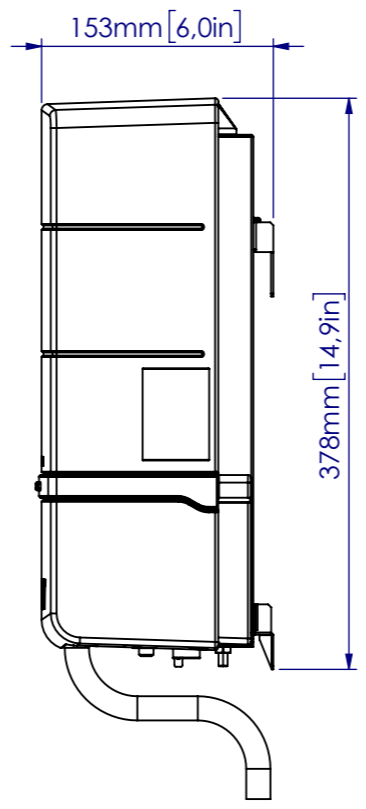
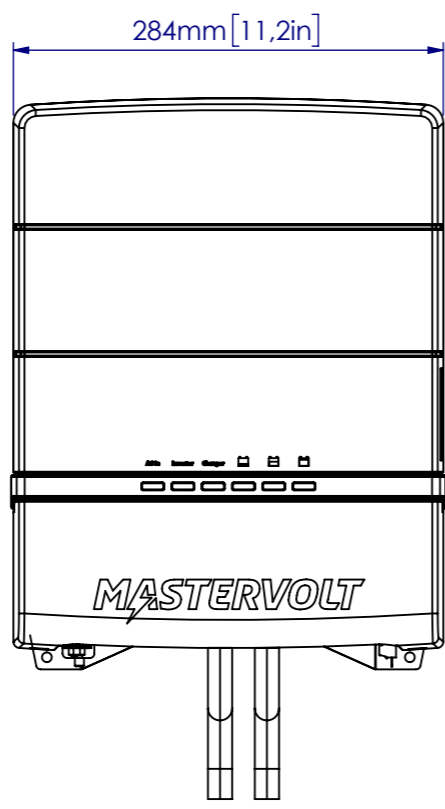
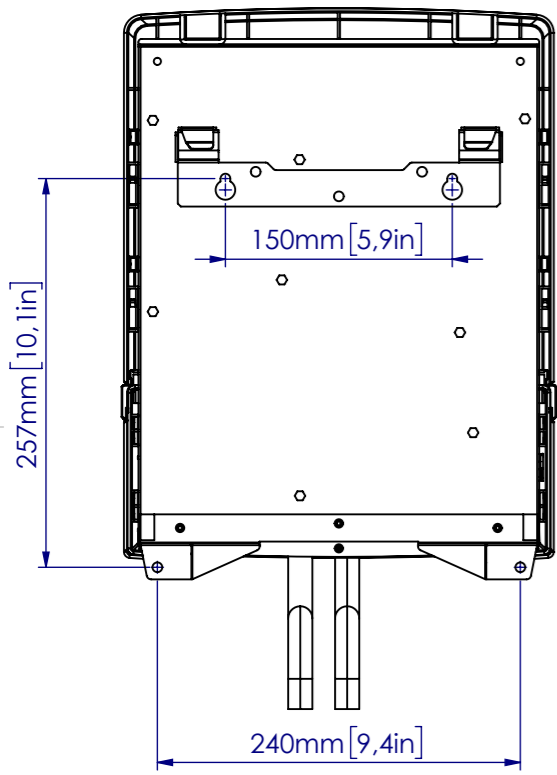
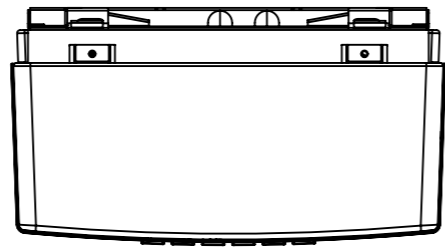


REVISIONS				
ZONE	REV.	DESCRIPTION	DATE	APPROVED
	03	Release for production	24-01-2019	



CombiMaster 12/2000-60 (230V - Product code: 35012000)  
 CombiMaster 24/2000-40 (230V - Product code: 35022000)

Unless otherwise specified. Dimensions are in mm Tolerances: - Linear: ± 0.2mm - Angular: ± 0.5°		Finish:	Debur and break sharp edges.	Status: Revision 03
<i>DO NOT SCALE DRAWING</i>				Title <b>CombiMaster 2000</b>
Drawn	Name H. F. Dekker	Signature	Date 10-07-2018	Dwg. nr.: 10000014182
Chk'd				Project:
Appr'd				
Mfg				
Q.A				
				Weight: