

**SPECIFICATIONS OF**

**Model FI-70 INSTRUMENT / DATA ORGANIZER**

**FURUNO**

**GENERAL**

**Screen Size** 4.1" Color LCD  
**Pixel Number** 320 (V) x 240 (H) pixels (QVGA)  
**Brightness** Typical 700 cd/m<sup>2</sup>  
**Display Mode** Analog Meter, Graph, Highway, Race Timer, Simple AIS, Data Box

**INTERFACE**

**Port** CAN bus x1  
**Input (PGN)** 059904, 060928, 061184, 126208/720/992/996, 127237/245/250/251/257/258/488/489/493/497/505, 128259/267, 129025/026/029/033/038/039/040/283/284/285/794/809/810, 130306/310/311/312/313/316/576/577/816/821/822/825/880/841  
**Output (PGN)** 059392/904, 060928, 061184, 126208/464/720/993/996, 130816/821/822/823/825/841

**POWER SUPPLY**

**Power Supply** 15 VDC through CAN bus  
**Power Consumption** 15 VDC 0.15 A max, LEN3

**ENVIRONMENT**

**Temperature** -15 °C to +55 °C  
**Waterproofing** IPX6

**EQUIPMENT LIST**

**Standard**  
 1. Instrument FI-70 with 6 m cable 1 unit  
 2. Installation Materials

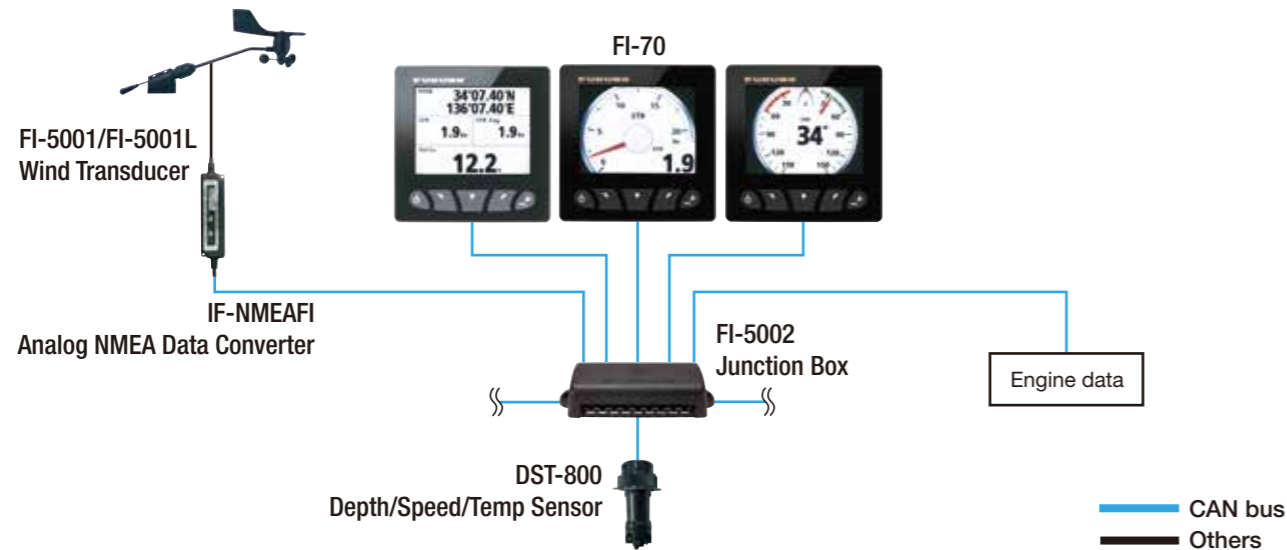
**Option**  
 1. Junction Box FI-5002  
 2. Depth/Speed/Temp Sensor DST-800  
 3. Wind Transducer FI-5001/FI-5001L  
 4. Analog NMEA Data Converter IF-NMEAIF  
 5. Cable Assembly M12-05BM+05BF 1/2/6 m  
 6. Cable Assembly CB-05PM+05BF 1/2/6 m  
 7. Frontmount kit OP26-29

**Model**

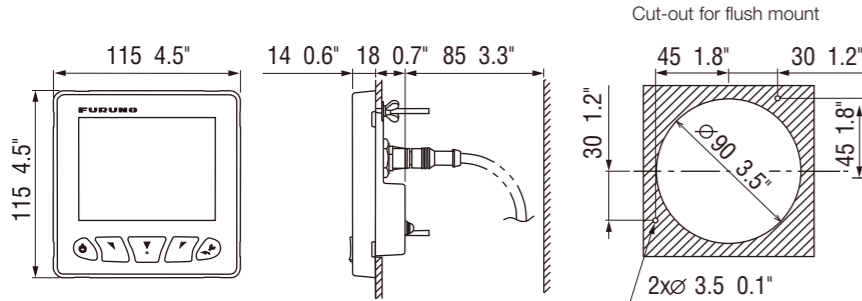
**FI-70**

**INSTRUMENT / DATA ORGANIZER**

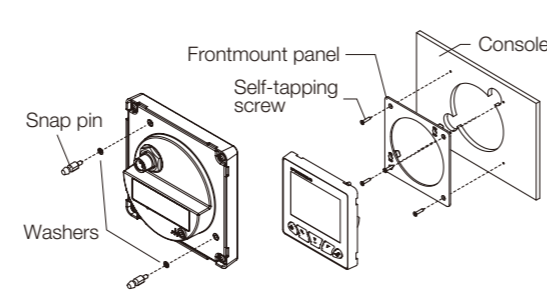
**CONNECTION DIAGRAM**



**Instrument FI-70** 0.22 kg 0.5 lb



**Frontmount Installation**



Beware of similar products. All brand and product names are registered trademarks, trademarks or service marks of their respective holders.

SPECIFICATIONS SUBJECT TO CHANGE WITHOUT NOTICE

**FURUNO ELECTRIC CO., LTD.**  
 Nishinomiya, Hyogo, Japan  
 www.furuno.com

**FURUNO U.S.A., INC.**  
 Camas, Washington, U.S.A.  
 www.furunousa.com

**FURUNO (UK) LIMITED**  
 Havant, Hampshire, U.K.  
 www.furuno.co.uk

**FURUNO FRANCE S.A.S.**  
 Bordeaux-Mérignac, France  
 www.furuno.fr

**FURUNO ITALIA S.R.L.**  
 Gatteo Mare, Italy  
 www.furuno.it

**FURUNO ESPAÑA S.A.**  
 Madrid, Spain  
 www.furuno.es

**FURUNO DANMARK A/S**  
 Hvidovre, Denmark  
 www.furuno.dk

**FURUNO NORGE A/S**  
 Ålesund, Norway  
 www.furuno.no

**FURUNO SVERIGE AB**  
 Västra Frölunda, Sweden  
 www.furuno.se

**FURUNO FINLAND OY**  
 Espoo, Finland  
 www.furuno.fi

**FURUNO POLSKA Sp. z o.o.**  
 Gdynia, Poland  
 www.furuno.pl

**FURUNO EURUS LLC**  
 St. Petersburg, Russian Federation  
 www.furuno.com.ru

**RICO (PTE) LTD**  
 Singapore  
 www.rico.com.sg

**FURUNO DEUTSCHLAND GmbH**  
 Rellingen, Germany  
 www.furuno.de

**FURUNO HELLAS S.A.**  
 Piraeus, Greece  
 www.furuno.gr

**FURUNO (CYPRUS) LTD**  
 Limassol, Cyprus  
 www.furuno.com.cy

**FURUNO SHANGHAI CO., LTD.**  
 Shanghai, China  
 www.furuno.com/cn

15015SK Printed in Japan  
 Catalogue No. M-1560



www.furuno.com

# All your info... All in one, for powerboats and sailboats alike

The new FI-70 INSTRUMENT/DATA ORGANIZER sports a vibrant 4.1" bonded color display that is visible even in the harshest sunlight conditions. Utilizing the CAN bus network, external sensors can easily be connected for simple and reliable operation. The FI-70 features an easy to operate graphical user-interface. It allows you to customize almost every display property, allowing you to choose the information you want to be displayed, in the way you want to see it!



- ▶ Clear 4.1" QVGA screen that is viewable even under direct sunlight
- ▶ Simple and intuitive graphical user interface allows you to fully customize
- ▶ Designed to perfectly match the NavNet TZtouch/TZtouch2 on your helm
- ▶ Bonded color LCD ensuring condensation free operation as well as great visibility
- ▶ Use your existing wind sensors (FI-5001/FI-5001L) with the new analog IF-NMEAFI converter
- ▶ Low power consumption (0.15 A max)
- ▶ Simple AIS display through connected CAN bus devices
- ▶ Share language and brilliance settings between FI-70s when grouping them together

## Simple setup for powerboats and sailboats alike

No matter if you own a powerboat or a sailboat, the FI-70 INSTRUMENT/DATA ORGANIZER will be equally useful with the proper sensors connected. For maximum performance and simple setup, the FI-70 automatically asks you which type of vessel you have, helping to customize operation of the unit. With its low power consumption and easy installation, it's hard to imagine a vessel where the FI-70 wouldn't be a benefit.



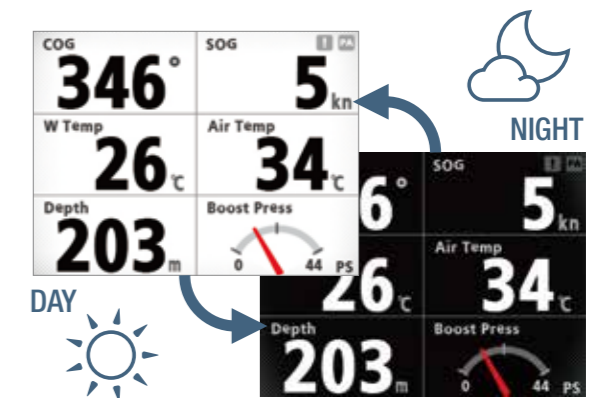
## Display Modes



The NavNet TZtouch2, NAVpilot-711C and the FI-70 have been designed to match each other beautifully, both in appearance and in function. Sporting a clean and functional design in all black, the FI-70 fits right in on your helm, together with the NavNet TZtouch2 and NAVpilot-711C.



Day and Night modes are available for less eye strain. With Day and Night mode, losing your night vision is no longer an issue. Simply change between the two modes with a menu setting.



## Display Data

<b>Speed</b>	STW (Speed Through Water), Max STW, Average STW, SOG (Speed Over Ground), Max SOG, Average SOG, VMG (Velocity made good)	<b>Boat</b>	Rudder Angle, Trim Tabs, Roll/Pitch
<b>Wind</b>	AWS (Apparent Wind Speed), TWS (True Wind Speed) , Max TWS, AWA (Apparent Wind Angle), TWA (True Wind Angle), Beaufort Wind, GWD (Ground Wind Direction)	<b>Engine</b>	Engine RPM, Trip Fuel Used, Fuel Rate, Engine Trim/Tilt, Boost Pressure, Engine Temperature, Engine Hour, Oil Pressure, Oil Temperature, Coolant Pressure, Engine Load, Transmission Oil Temperature, Transmission Oil Pressure
<b>Heading</b>	HDG (Heading), Average HDG, Heading on Next Tack, ROT (Rate Of Turn)	<b>Tank</b>	Tank Level 1-6
<b>Course</b>	COG (Course Over Ground)	<b>Depth</b>	Depth
<b>Timer</b>	Count Down Timer 1, Count Down Timer 2, Count Up Timer	<b>AIS</b>	AIS (Max targets: 25, fixed 6NM range)
<b>Navigation</b>	Bearing, RNG (Range), WPT (Position), XTE (Cross-Track Error), Position, ETA Time, ETA Date, Trip, Odometer	<b>Voltage</b>	Supply Voltage
		<b>Environment</b>	Date & Time, Water Temperature, Air Temperature, Atmospheric Pressure, Humidity, Wind Chill Temperature, Dew Point

## Example setup

