

XS Series Subwoofer Installation Instructions	2
Instructions d'installation du caisson de basse XS Series	6
Subwoofer XS Series Istruzioni di installazione	10
Subwoofer der XS Series – Installationsanweisungen	14
Instrucciones de instalación del subwoofer de la XS Series	18
XS Series da série esportiva da marca	22
XS Series subwooferinstallatie-instructies	26

Garmin®, the Garmin logo, FUSION®, the Fusion logo, and True-Marine™ are trademarks of Garmin Ltd. or its subsidiaries, registered in the USA and other countries. These trademarks may not be used without the express permission of Garmin.



XS Series Subwoofer Installation Instructions

Important Safety Information

WARNING

Failure to follow these warnings and cautions could result in personal injury, damage to the vehicle or vessel, or poor product performance.

See the *Important Safety and Product Information* guide in the product box for product warnings and other important information.

This device must be installed according to these instructions.

Disconnect the vehicle's or vessel's power supply before beginning to install this product.

CAUTION

Continuous exposure to sound pressure levels over 100 dBA may cause permanent hearing loss. The volume is typically too loud if you cannot hear people speaking around you. Limit the amount of time you listen at high volume. If you experience ringing in your ears or muffled speech, stop listening and have your hearing checked.

Always wear safety goggles, ear protection, and a dust mask when drilling, cutting, or sanding.

NOTICE

When drilling or cutting, always check what is on the opposite side of the surface.

It is strongly recommended that you have your audio system installed by a professional installer to ensure optimum performance.

You must read all installation instructions before beginning the installation. If you experience difficulty during the installation, go to www.fusionentertainment.com for product support.

After installing the subwoofer, you should run the subwoofer at low to medium volumes for the first few hours of use. This helps to improve the overall sound by gradually loosening up the moving components of the subwoofer, such as the cone, spider, and surround

What's In the Box

- 1 subwoofer
- 6 Phillips stainless steel, 4.8 mm x 50 mm (10 gauge x 2 in.) mounting screws
- Mounting template
- Grilles

Tools Needed

- Electric drill
- Drill bit (size varies based on surface material)
- Phillips screwdriver
- Wire strippers
- Crimping tool
- Electrical tape
- Appropriate saw or utility knife to cut surface material
- Marine sealant (optional)
- Suitable gauge speaker wire for the length required

NOTE: For customized installations, additional tools and materials may be needed.

Mounting Considerations

Selecting the correct mounting location is critical to optimize the performance of the audio system. This FUSION® subwoofer is designed to perform in the widest possible range of mounting

locations, but the more you plan the installation, the better the subwoofer sound will be.

- The audio system must be turned off before making any connections. Failure to do so could result in permanent damage to the audio system.
- You should protect all terminals and connections from grounding and from each other. Failure to do so could result in permanent damage to the audio system and voids the product warranty.
- You should protect the wires from sharp objects and always use rubber grommets when wiring through panels.
- The mounting location must avoid potential obstacles, such as fuel and hydraulic lines and wiring.
- The mounting location must provide sufficient clearance for the mounting depth of the subwoofer as specified in the side view drawings and the specifications.
- When possible, the area behind each subwoofer should be enclosed.
- To avoid interference with a magnetic compass, the subwoofer should not be installed closer to a compass than the compass-safe distance value listed in the product specifications.
- You should select a flat mounting surface for the best seal.
- For better bass performance, the subwoofer should be mounted in an area that provides just enough room behind the subwoofer. Too small an area restricts bass, and too large an area compromises bass performance. Refer to the specifications for optimum volume recommendations.
- When a subwoofer is not exposed to the outside environment, a better bass performance can be achieved using an enclosure that has a ported design. The Small parameters are provided in the specifications to assist with enclosure and port design.
- If you intend to mount the subwoofer outside the boat, follow these considerations.
 - When mounted correctly, the subwoofer is rated IP65 for protection in the marine environment from the front of the subwoofer. Water exposure and damage to the rear of the subwoofer voids the warranty.
 - The subwoofer must be mounted in a location well above the waterline, where it is not submerged.
 - The subwoofer must be mounted in a location where it cannot be damaged by docks, pilings, or other pieces of equipment.
 - The subwoofer should be mounted in a sealed enclosure, especially if it is exposed to wash down. A port or vent may allow water to collect in the enclosure and damage the subwoofer.

Mounting the Subwoofer

Before mounting the subwoofer, you must choose a location following the mounting considerations above.

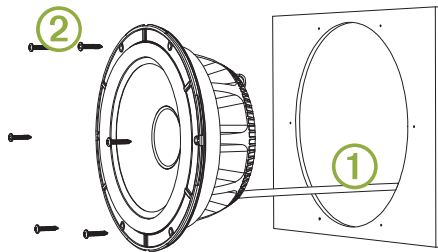
Before cutting the mounting surface, you should verify that there is enough clearance for the speaker behind the surface. Refer to the specifications for clearance information.

NOTICE

Do not apply grease or lubricant to the screws when fastening the subwoofer to the mounting surface. Grease or other lubricants can cause damage to the subwoofer housing.

- 1 Route the wires from the source to the mounting location, away from sources of electrical interference.
- 2 Trim the template and make sure it fits in the selected location.
- 3 Orient the template so the FUSION logo is level in the selected location.

- 4 Secure the template to the selected location.
- 5 Using a rotary tool or jigsaw, cut the mounting surface along the inside of the line on the template.
- 6 Place the subwoofer in the cutout to test the fit.
- 7 If necessary, use a file and sandpaper to refine the size of the cutout.
- 8 After the subwoofer fits correctly in the cutout, ensure the mounting holes on the subwoofer line up with the pilot holes on the template.
- 9 If the mounting holes on the subwoofer do not line up, mark the new hole locations.
- 10 Using an appropriately sized drill bit for the mounting surface and screw type, drill the holes.
- 11 Remove the template from the mounting surface.
- 12 Connect the subwoofer wires ① while observing polarity (*Subwoofer Wiring*, page 3).



- 13 If necessary, connect the LED wires to the Sports model subwoofer (*LED Wiring*, page 3).
- 14 Place the subwoofer in the cutout.
- 15 Secure the subwoofer to the mounting surface using the included screws ②.

NOTE: Do not over tighten the screws, especially if the mounting surface is not flat.
- 16 With the subwoofer mounted, hold the grille with the FUSION logo at the bottom, or at the 6 o'clock position.
- 17 Press on the grille to snap it into place.

Subwoofer Wiring

When connecting the subwoofer to your amplifier or source, observe the following considerations.

- Speaker wire is not included with the subwoofer. You should use 20 AWG (0.52 mm²) speaker wire to connect the subwoofer to the amplifier or source.
- The leads on the subwoofer are terminated using male spade connectors. You should use female spade connectors (not included) to connect the speaker wire to the speaker leads for the best connection.
- The subwoofer features a dual 2 Ohm voice coil that can be configured for 2.1 operation (two speakers and one subwoofer) when connected to a FUSION stereo with DSP capability (*Configuring the Subwoofer for 2.1 Operation*, page 4).
- You can use the following table to identify the polarity of the leads on the speaker.

White	Positive (+)
Gray with a black stripe	Negative (-)

NOTE: Gray and white with a black stripe wires are connected to jumper terminals on the back of the subwoofer. These wires must remain connected to the jumper terminals for normal use (4 Ohm) and should be disconnected only when configuring the speaker for 2.1 operation.

LED Wiring

Connecting the LED Wires

You can control the color of the LEDs by connecting the LED color wires to ground. You can splice the ground wire to multiple LED wires to customize the LED color.

NOTE: This feature is available only on the sports model.

NOTE: Instead of connecting the LED wires for one dedicated color, you can install a remote control to turn the LEDs on and off, change the color, and create lighting effects. See your FUSION dealer or www.fusionentertainment.com for more information.

The black wire on the LED cable is terminated with a 4 mm female bullet connector, and the color wires are terminated with 4 mm male bullet connectors. You can connect these to 4 mm bullet connectors on your wires (not included), or remove the bullet connectors to connect to the bare wires instead.

- 1 Connect a positive wire to the black wire on the LED cable.
- 2 Connect a ground wire to the wire on the LED cable according to the preferred LED color.

LED Color	LED Wire Color
Red	Red
Green	Green
Blue	Blue
Yellow	Red and green
Magenta	Red and blue
Cyan	Blue and green
White	Red, green, and blue

- 3 Route the positive and negative wires, and connect them to a power source (*Connecting the LED Wires to Power*, page 3).

Connecting the LED Wires to Power

NOTE: This feature is available on only the sports model.

You must connect all 12 Vdc wiring to the LEDs to a 3 A fuse at the power-source end of the cable. You should connect the positive (+) power wire to a 12 Vdc power source through an isolator switch or circuit breaker to turn the LEDs on and off. You can use the same isolator or circuit breaker controlling the power supply to your stereo, which allows you to turn the LEDs and the stereo on and off at the same time.

You should use 22 AWG (0.33 mm²) or thicker wire to connect the LEDs to the battery.

- 1 Route the positive power (+) and negative ground (-) wires from the LED-wire connections to the battery.
- 2 Connect the negative wire to the negative (-) battery terminal.
- 3 Connect the positive wire to the positive (+) terminal through a 3 A fuse and isolator switch or circuit breaker.

Subwoofer Sound Optimization

While installing the subwoofer, you can ensure the sound from the subwoofer is optimized by running the subwoofer out of phase. You can switch the positive and negative wires on the amplifier or source to run them out of phase.

Running the subwoofer out of phase from the speakers allows you to hear if the perception of bass is more from the location of the subwoofer or from the speakers. If running the subwoofer out of phase gives a better perception that the bass is from the speakers' location, then out-of-phase wiring is correct for your system.

You can run the subwoofer out of phase by temporarily switching the positive and negative connections from the subwoofer at the amplifier or source. Depending on the outcome of the test, you can then switch the connections back if necessary.

Configuring the Subwoofer for 2.1 Operation

The subwoofer features dual 2 Ohm voice coils and is pre-configured for 4 Ohm operation. You can change the configuration of the subwoofer for 2.1 operation (two speakers and one subwoofer) when connected to a FUSION stereo with DSP capability, such as an Apollo™ RA770.

- 1 Disconnect the gray wire and the white with a black stripe wire from the jumper terminals on the back of the subwoofer.
- 2 Connect the wires from the subwoofer to the stereo using the following table as a reference.

Subwoofer wire	Stereo wire
White	Zone 2 right positive (+)
White with a black stripe	Zone 2 right negative (-)
Gray	Zone 2 left positive (+)
Gray with a black stripe	Zone 2 left negative (-)

- 3 Turn on the connected stereo.
- 4 Launch the FUSION-Link™ app, and select the 2.1 option for the connected stereo.

The subwoofer operates in 2.1 mode, with the volume control tied to zone 1 on the stereo. The zone 2 volume control and the zone 2 line out connectors are disabled.

Additional Information

True-Marine™ Products

True-Marine products are subjected to rigorous environmental testing under harsh marine conditions to surpass industry guidelines for marine products.

Any product that bears the True-Marine stamp of assurance has been designed for simplicity of use and combines advanced marine technologies to deliver an industry leading entertainment experience. All True-Marine products are supported by the FUSION 3-year worldwide limited consumer warranty.

Registering Your XS Series

Help us better support you by completing our online registration today.

- Go to www.fusionentertainment.com.
- Keep the original sales receipt, or a photocopy, in a safe place.

Cleaning the Subwoofer

NOTICE

Do not use harsh or solvent-based cleaners on the subwoofer. Using such cleaners may damage the product and void the warranty.

When mounted correctly, this subwoofer is rated IP65 for protection in the harsh marine environment from the front of the subwoofer. The subwoofer is not designed to withstand high pressure water spray, which may occur when you wash down your vessel. Failure to carefully spray-clean the vessel may damage the product and void the warranty.

- 1 Clean all salt water and salt residue from the grille with a damp cloth soaked in fresh water.
- 2 Use a mild detergent to remove a heavy buildup of salt or stains.

Troubleshooting

Before you contact your FUSION dealer or service center, you should perform a few simple troubleshooting steps to help diagnose the problem.

If the FUSION subwoofer has been installed by a professional installation company, you should contact the company so the technicians can assess the problem and advise you about possible solutions.

There is no sound coming from the subwoofer

- Verify that all connections are connected correctly to the proper terminals.

The system lacks bass

- Verify that the subwoofer is attached firmly to the mounting surface.

The audio is distorted

- Verify that the panels surrounding the subwoofer on the vessel are not rattling.
- Verify that the amplifier is connected to the subwoofer terminals correctly.
- If the subwoofer is connected to an amplifier, verify that the input level of the amplifier is matched to the output level of the stereo.

For more information, see the manual for the amplifier.

The LED lights will not turn on

- Verify that all wiring connections are correct and tight.

The LEDs pulse with the bass notes of the music

- Install a FUSION LED voltage regulator (SG-VREGLED).

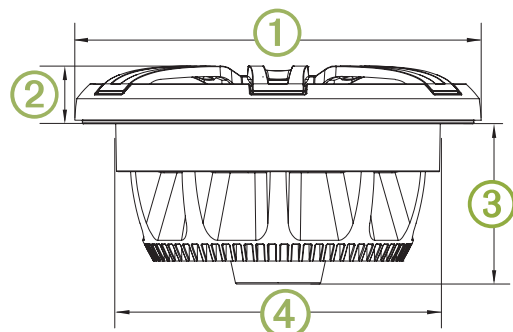
Specifications

Peak power (Watts)	600 W
RMS power (Watts)	120 W
Efficiency (1 W/1 m)	87 dB
Frequency response	From 30 Hz to 2000 Hz
Nominal impedance	4 ohm
Recommended amplifier power (RMS)	40 to 300 W per channel
Min. mounting depth (clearance)	113 mm (4 ⁷ / ₁₆ in.)
Mounting diameter (clearance)	223 mm (8 ³ / ₄ in.)
Optimum enclosure volume recommendation*	40 L
LED color options (sports model only)	RGB
LED supply voltage (Sports model only)	From 10.8 to 16 Vdc
LED load current at 14.4 Vdc (Sports model only)	150 mA
Operating temperature range	From 0 to 50°C (from 32 to 122°F)
Storage temperature range	From -20 to 70°C (from -4 to 158°F)
Cone/surround material	Polypropylene cone, rubber surround
Water and dust rating	IEC 60529 IP65 (Protected against dust and water ingress)

*Sealed enclosure, fully filled with absorption material.

NOTE: This speaker is not intended to be installed in a vented or ported enclosure when exposed to the outside environment.

Speaker Dimensions



①	274 mm (10 ¹³ / ₁₆ in.)
②	Classic grille: 32 mm (1 ¹ / ₄ in.) Sports grille: 37 mm (1 ⁷ / ₁₆ in.)
③	110 mm (4 ⁵ / ₁₆ in.)
④	221 mm (8 ¹¹ / ₁₆ in.)

A Sports model subwoofer is shown, but the dimensions are the same for the Classic model unless noted.

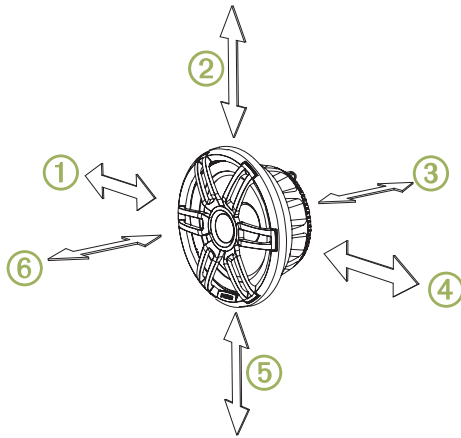
Subwoofer Compass-Safe Distance

All speakers and subwoofers contain magnets which are likely to cause interference with instruments on your boat. The size of the magnet used in the subwoofer affects how much interference the subwoofer may cause.

Interference can cause deviations and variations in the readings of sensitive navigational equipment, such as magnetic compasses. These deviations can cause inaccuracies or offsets in the readings, but will not harm the equipment. To alleviate the deviations, adjust the compass for the deviation following the manufacturer's instructions or move the subwoofer away from the navigational equipment. After moving a source of interference, you may need to recalibrate the compass.

If you are navigating solely by a magnetic compass, use extreme caution to place the speaker far enough away from the compass to avoid causing deviations in the readings.

To avoid deviations to navigational equipment, position the subwoofer so it is separated from the navigational equipment by at least the distance listed in the table below.



Direction from Subwoofer	10" Subwoofer
①	280 cm (9 ft. 2 in.)
②	280 cm (9 ft. 2 in.)
③	370 cm (12 ft. 2 in.)
④	280 cm (9 ft. 2 in.)
⑤	295 cm (9 ft. 8 in.)
⑥	350 cm (11 ft. 6 in.)

Thiele Small Parameters

You can use the Thiele Small (T/S) parameters when designing a custom enclosure for your subwoofer.

NOTE: Thiele/Small parameters may vary between samples, based on the environment and how much the speaker has been used. These values are intended as a guide to help with enclosure design.

Electrical Q factor (Q_{es})	1.20
Mechanical Q factor (Q_{ms})	5.80
Total Q factor (Q_{ts})	0.99
Resonance frequency (F_s)	41 Hz
Equivalent air load (V_{as})	40 L

Instructions d'installation du caisson de basse XS Series

Informations importantes relatives à la sécurité

⚠ AVERTISSEMENT

Le non-respect de ces avertissements et de ces mises en garde est susceptible de provoquer des blessures, d'endommager le bateau ou le véhicule ou de dégrader les performances du produit.

Consultez le guide *Informations importantes sur le produit et la sécurité* inclus dans l'emballage du produit pour prendre connaissance des avertissements et autres informations importantes sur le produit.

Cet appareil doit être installé conformément à ces instructions.

Déconnectez l'alimentation du véhicule ou du bateau avant de commencer à installer ce produit.

⚠ ATTENTION

L'exposition prolongée à des niveaux de pression acoustique supérieurs à 100 dBA peut entraîner une perte d'audition irréversible. Le volume est généralement trop élevé si vous ne parvenez pas à entendre les personnes qui parlent autour de vous. Limitez le temps d'écoute durant lequel le volume est élevé. Si vos oreilles sifflent ou si vous entendez des sons étouffés, arrêtez l'écoute et faites contrôler votre audition.

Portez toujours des lunettes de protection, un équipement antibruit et un masque anti-poussière lorsque vous percez, coupez ou poncez.

AVIS

Lorsque vous percez ou coupez, commencez toujours par vérifier la nature de la face opposée de l'élément.

Pour des performances optimales, il est vivement recommandé de confier l'installation du système audio à un professionnel.

Lisez toutes les instructions d'installation avant de commencer l'installation. Si vous rencontrez des difficultés durant l'installation, rendez-vous sur le site www.fusionentertainment.com pour obtenir de l'aide sur le produit.

À la fin de l'installation du caisson de basse, faites-le fonctionner à un volume d'écoute faible et augmentez le son progressivement lors des premières heures d'utilisation. Ainsi, vous améliorerez le son global en assouplissant progressivement les composants amovibles du caisson de basses, comme le cône, le spider et la membrane.

Contenu de l'emballage

- 1 caisson de basse
- 6 vis de montage cruciformes en acier inoxydable, 4,8 mm x 50 mm (calibre 10 x 2")
- Modèle de montage
- Grilles

Outils requis

- Perceuse électrique
- Foret (la taille varie en fonction du matériel de la surface de montage)
- Tournevis cruciforme
- Dénude-fil
- Outil pour sertir
- Ruban isolant
- Scie appropriée ou couteau à lame rétractable pour découper le matériel de la surface de montage

- Mastic d'étanchéité (facultatif)
- Un calibre de câble correct doit être utilisé pour la longueur requise

REMARQUE : pour des installations sur mesure, des outils et du matériel supplémentaires peuvent être nécessaires.

Considérations relatives au montage

Les performances du système audio reposent sur le choix d'un emplacement d'installation approprié. Si le caisson de basse FUSION est conçu pour fonctionner à peu près partout, la qualité du son dépend de la manière dont vous allez préparer son installation.

- Le système audio doit être éteint avant de procéder à tout branchement. Dans le cas contraire, le système audio pourrait être endommagé de manière irréversible.
- Protégez toutes les bornes et connexions contre les risques de court-circuit et isolez-les les unes des autres. Dans le cas contraire, le système audio pourrait être endommagé de manière irréversible et la garantie annulée.
- Il est conseillé de protéger les fils du caisson de basse contre tout objet tranchant et de toujours utiliser des passe-câbles lorsque vous faites passer les fils dans des tableaux.
- L'emplacement de montage doit éviter tout obstacle potentiel, comme des flexibles hydrauliques ou des câbles.
- L'emplacement de montage doit fournir suffisamment d'espace pour la profondeur de montage du caisson de basse, conformément aux croquis de la vue latérale et aux caractéristiques.
- Dans la mesure du possible, la zone à l'arrière de chaque caisson de basse doit être fermée.
- Pour éviter toute interférence avec un compas magnétique, le caisson de basse doit être installé à la distance de sécurité au compas indiquée dans les caractéristiques techniques du produit.
- Choisissez une surface de montage plate pour une meilleure étanchéité.
- Pour de meilleures basses, installez chaque caisson de basse dans une zone pourvue d'un espace suffisant à l'arrière. Si la zone est trop petite, les basses sont moins fortes. En revanche, la zone ne doit pas être trop grande au risque de compromettre les performances des basses. Consultez les caractéristiques pour connaître le volume idéal.
- Lorsqu'un caisson de basse n'est pas au contact de l'environnement extérieur, vous pouvez optimiser les basses en utilisant un caisson à enceinte réflexe. Vous pouvez consulter les paramètres Thiele Small (T/S) de la section Caractéristiques techniques pour obtenir de l'aide pour la conception d'un caisson avec enceinte réflexe.
- Si vous envisagez d'installer le caisson de basse à l'extérieur du bateau, suivez ces recommandations.
 - Quand il est installé correctement, ce caisson de basse offre en façade un indice de protection IP65 contre les aléas de l'environnement marin. Tout contact avec l'eau et tout endommagement à l'arrière du caisson de basse entraîne l'annulation de la garantie.
 - Le caisson de basse doit être monté à un emplacement où il ne risque pas d'être immergé, bien au-dessus de la ligne de flottaison.
 - Le caisson de basse doit être installé à un emplacement éloigné des quais et autres équipements.
 - Le caisson de basse doit être installé dans un caisson clos, surtout s'il est exposé aux projections d'eau. De l'eau peut en effet passer dans le boîtier et endommager le caisson de basse.

Installation du caisson de basse

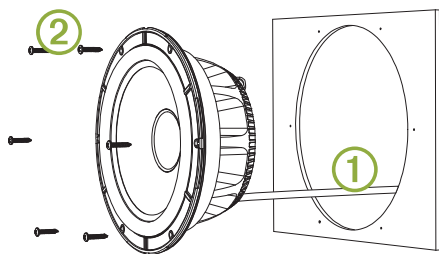
Avant d'installer le caisson de basse, vous devez choisir un emplacement adapté, en suivant les recommandations ci-dessus.

Avant de découper la surface de montage, vous devez vous assurer que l'espace derrière la surface est suffisant pour accueillir le haut-parleur. Consultez les informations sur l'espace à respecter.

AVIS

N'appliquez ni graisse ni lubrifiant sur les vis utilisées pour l'installation du caisson de basse sur la surface de montage. Ces substances risquent d'endommager le revêtement du caisson de basse.

- 1 Acheminez les fils de la source vers l'emplacement de montage, en les éloignant des sources d'interférences électroniques.
- 2 Découpez le modèle et assurez-vous que le caisson de basse s'adapte à l'emplacement choisi.
- 3 Orientez le modèle de manière à ce que le logo FUSION soit à l'horizontale à l'emplacement choisi.
- 4 Fixez le modèle sur l'emplacement choisi.
- 5 À l'aide d'une scie circulaire ou d'une scie sauteuse, découpez la surface de montage le long de la ligne du modèle.
- 6 Placez le caisson de basse dans la découpe pour vérifier l'ajustement.
- 7 Au besoin, utilisez une lime et du papier de verre pour affiner le contour de la découpe.
- 8 Lorsque le caisson de basse est bien ajusté au contour, assurez-vous que les trous de montage sur le caisson de basse s'alignent sur les trous d'implantation du modèle.
- 9 Si les trous de montage sur le caisson de basse ne sont pas alignés, marquez les nouveaux emplacements des trous.
- 10 Percez les trous à l'aide d'un foret de taille adaptée à la surface de montage et au type de vis.
- 11 Retirez le modèle de la surface de montage.
- 12 Connectez les fils du caisson de basse ① en tenant compte de la polarité (*Branchement du caisson de basse*, page 7).



- 13 Si besoin, connectez les fils des voyants LED au caisson de basse, modèle Sports (*Branchement des voyants LED*, page 7).
- 14 Placez le caisson de basse dans la découpe.
- 15 Fixez le caisson de basse à la surface de montage à l'aide des vis fournies ②.

REMARQUE : ne serrez pas les vis outre mesure, surtout si la surface de montage n'est pas plate.

- 16 Une fois le caisson de basse installé, tenez la grille en orientant le logo FUSION vers le bas ou à une position de 6 heures.
- 17 Appuyez sur la grille pour la mettre en place.

Branchement du caisson de basse

Tenez compte des points suivants lorsque vous connectez votre caisson de basse à votre ampli ou source.

- Le fil pour haut-parleur n'est pas inclus avec le caisson de basse. Vous devez utiliser un fil pour haut-parleur 20 AWG (0,52 mm²) ou plus épais pour connecter le caisson de basse à l'ampli ou à la source.
- Vous pouvez mettre des connecteurs à cosse plate mâle au bout des fils du caisson de basse. Pour connecter le fil pour haut-parleur aux fils du haut-parleur et optimiser la connexion, nous vous conseillons d'utiliser des connecteurs à cosse plate femelles (non inclus).
- Le caisson intègre une bobine acoustique double de 2 Ohm configurable pour un fonctionnement 2.1 (deux haut-parleurs et un caisson de basse) lorsque le caisson est connecté à une chaîne stéréo FUSION compatible DSP (*Configuration du caisson de basse pour un système 2.1*, page 8).
- Vous pouvez consulter le tableau suivant pour identifier la polarité des fils sur le haut-parleur.

Blanc	Positif (+)
Gris avec une ligne noire	Négatif (+)

REMARQUE : les fils gris et blanc avec une ligne noire sont connectés aux bornes à connexion volante au dos du caisson de basse. Ces fils doivent rester connectés aux bornes pour une utilisation normale (4 Ohm) et vous devez les déconnecter uniquement lorsque vous configurez un système 2.1.

Branchement des voyants LED

Connexion des fils des voyants LED

Vous pouvez contrôler la couleur des voyants LED en connectant les fils des voyants à la terre. Vous pouvez joindre le fil de terre à plusieurs fils de voyant LED pour personnaliser les couleurs des voyants.

REMARQUE : cette fonction est disponible uniquement sur le modèle Sports.

REMARQUE : au lieu de connecter les fils des voyants LED à une couleur chacun, vous pouvez installer une télécommande pour allumer ou éteindre les voyants, changer la couleur et créer des effets de lumière. Contactez votre revendeur FUSION ou visitez le site www.fusionentertainment.com pour en savoir plus.

Le fil noir du câble des voyants LED se termine par un connecteur femelle de 4 mm et les fils de couleur se terminent par un connecteur mâle de 4 mm. Vous pouvez connecter ces connecteurs aux connecteurs 4 mm sur vos fils (non inclus) ou les enlever pour brancher vos fils nus à la place.

- 1 Connectez un fil positif sur le fil noir du câble des voyants LED.
- 2 Connectez un fil de terre sur le fil du câble des voyants LED en fonction de la couleur que vous avez choisie pour les voyants.

Couleur du voyant	Couleurs du fil de voyant LED
Rouge	Rouge
Vert	Vert
Bleu	Bleu
Jaune	Rouge et vert
Magenta	Rouge et bleu
Cyan	Bleu et vert
Blanc	Rouge, vert et bleu

- 3 Acheminez les fils positifs et négatifs et connectez-les à une source d'alimentation (*Connexion des fils des voyants LED à l'alimentation*, page 8).

Connexion des fils des voyants LED à l'alimentation

REMARQUE : cette fonction est uniquement disponible sur le modèle Sports.

Vous devez connecter tous les fils 12 V c.c. des voyants LED sur un fusible 3 A au bout du câble de la source d'alimentation. Vous devez connecter le fil d'alimentation positif (+) à une source d'alimentation 12 V c.c. à l'aide d'un sectionneur ou d'un disjoncteur afin d'allumer et éteindre les voyants LED. Vous pouvez utiliser le même sectionneur ou disjoncteur que vous utilisez pour contrôler l'alimentation de votre chaîne stéréo, ce qui vous permet d'allumer et d'éteindre les voyants LED et la chaîne stéréo en même temps.

Vous devez utiliser un fil 0,33 mm² (22 AWG) ou plus épais pour connecter les voyants LED à la batterie.

- 1 Acheminez le fil d'alimentation positif (+) et le fil de terre négatif (-) depuis les connecteurs des fils de voyants LED jusqu'à la batterie.
- 2 Connectez le fil négatif à la borne négative (-) de la batterie.
- 3 Connectez le fil positif à la borne positive (+) à l'aide d'un fusible de 3 A et d'un sectionneur ou d'un disjoncteur.

Optimisation du son du caisson de basse

Lors de l'installation du caisson de basse, vous pouvez vous assurer que le son du caisson de basse est optimal en le faisant fonctionner en opposition de phase. Vous pouvez échanger les fils positif et négatif de l'ampli ou de la source afin de les faire fonctionner en opposition de phase.

Quand le caisson de basse fonctionne en opposition de phase par rapport aux haut-parleurs, vous pouvez entendre si les basses semblent plus fortes au niveau de l'emplacement du caisson de basse ou de celui des haut-parleurs. Si vous constatez que les basses sont plus perceptibles au niveau de l'emplacement des haut-parleurs, cela signifie que le câblage en opposition de phase convient à votre système.

Vous pouvez passer le caisson de basse en opposition de phase en inversant temporairement les connexions positives et négatives du caisson de basse sur l'ampli ou la source. Selon les résultats du test, vous pouvez réinverser les connexions si besoin.

Configuration du caisson de basse pour un système 2.1

Le caisson de basse est doté d'une bobine acoustique double de 2 Ohm et est préconfiguré pour une utilisation en 4 Ohm. Vous pouvez reconfigurer le caisson de basse pour un système 2.1 (deux haut-parleurs et un caisson de basse), lorsque le caisson de basse est connecté à une chaîne stéréo FUSION compatible DSP, comme la Apollo RA770.

- 1 Déconnectez les fils gris et blanc avec une ligne noire des bornes au dos du caisson de basse.
- 2 Branchez les fils du caisson de basse à la chaîne stéréo en suivant le tableau pour référence.

Fil du caisson de basse	Fil de la chaîne stéréo
Blanc	Zone 2 droite positif (+)
Blanc avec une ligne noire	Zone 2 droite négatif (-)
Gris	Zone 2 gauche positif (+)
Gris avec une ligne noire	Zone 2 gauche négatif (-)

- 3 Allumez la chaîne stéréo connectée.
- 4 Démarrez l'application FUSION-Link et sélectionnez l'option 2.1 pour la chaîne stéréo connectée.

Le caisson de basse fonctionne en mode 2.1, avec le volume lié à la zone 1 de la chaîne stéréo. La commande du volume de la zone 2 et les connecteurs de sortie ligne de la zone 2 sont déconnectés.

Informations supplémentaires

True-MarineProduits

Les produits True-Marine sont soumis à des essais d'environnement rigoureux lors de conditions maritimes difficiles afin de dépasser les recommandations du secteur.

Les produits portant la certification True-Marine ont été conçus dans une optique d'ergonomie et allient des technologies avancées pour la mer afin de proposer une expérience ludique inégalée. Tous les produits True-Marine sont fournis avec la garantie limitée de trois ans FUSION pour les produits grand public.

Enregistrement de votre XS Series

Aidez-nous à mieux vous servir en remplissant dès aujourd'hui notre formulaire d'enregistrement en ligne.

- Rendez-vous sur le site www.fusionentertainment.com.
- Conservez en lieu sûr l'original de la facture ou une photocopie.

Nettoyage du caisson de basse

AVIS

N'utilisez aucun produit nettoyant abrasif ni à base de solvant sur le caisson de basse. L'utilisation de ce type de produit risque d'endommager l'appareil et d'annuler la garantie.

Quand il est installé correctement, ce caisson de basse offre en façade un indice de protection IP65 contre les aléas de l'environnement marin. Le caisson de basse n'est pas conçu pour résister à des jets d'eau puissants, comme lorsque vous lavez votre bateau au jet. Si vous ne faites pas attention au moment de laver votre bateau au jet, vous risquez d'endommager le produit et d'annuler la garantie.

- 1 Nettoyez l'eau salée et les résidus de sel de la grille du caisson de basse à l'aide d'un chiffon humidifié avec de l'eau douce.
- 2 Utilisez un détergent doux pour ôter l'accumulation de sel ou les taches.

Dépannage

Avant de contacter votre revendeur ou centre de services FUSION, suivez quelques étapes simples de dépannage afin de diagnostiquer le problème qui vous concerne par vous-même.

Si le caisson de basse FUSION a été installé par une entreprise d'installation, prenez contact avec cette entreprise afin que les techniciens puissent localiser le problème et vous conseiller sur d'éventuelles solutions.

Aucun son ne sort du caisson de basse

- Vérifiez que toutes les connexions des bornes sont correctes.

Les basses du système sont faibles

- Vérifiez que le caisson de basse est bien fixé à la surface de montage.

Le son est déformé

- Vérifiez que les tableaux disposés autour du caisson de basse du bateau ne s'entrechoquent pas.
- Vérifiez que la connexion entre l'ampli et les bornes du caisson de basse est correcte.
- Si le caisson de basse est connecté à un ampli, vérifiez que le niveau d'entrée de l'ampli correspond bien au niveau de sortie de la chaîne stéréo.

Pour plus d'informations, consultez le manuel de l'ampli.

Les voyants LED ne s'allument pas

- Veillez à ce que toutes les connexions de câbles soient correctes et bien serrées.

Les voyants LED battent au rythme des notes de basse de la musique

- Installez un régulateur de tension pour voyants LED FUSION (SG-VREGLED).

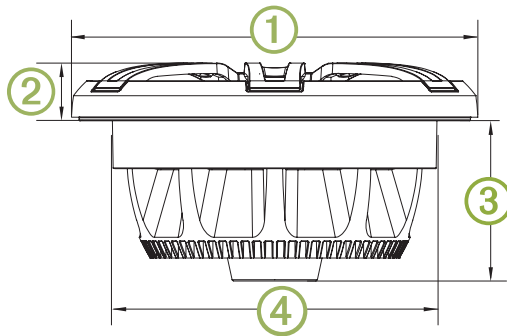
Caractéristiques techniques

Pic de puissance (watts)	600 W
Puissance RMS (watts)	120 W
Efficacité (1 W/1 m)	87 dB
Réponse en fréquence	De 30 Hz à 2000 Hz
Impédance nominale	4 ohm
Puissance recommandée pour l'ampli (RMS)	De 40 à 300 W par canal
Profondeur de montage minimale (dégagement)	113 mm (4 7/16 po)
Diamètre de montage (dégagement)	223 mm (8 3/4 po)
Recommandation de volume optimal pour le caisson*	40 L
Options de couleur pour les voyants LED (modèle Sports uniquement)	RGB
Tension d'alimentation pour voyants LED (modèle sports uniquement)	De 10,8 à 16 V c.c.
Courant de charge des voyants LED à 14,4 V c.c. (modèle sports uniquement)	150 mA
Plage de températures de fonctionnement	De 0 à 50 °C (de 32 à 122 °F)
Plage de températures de stockage	De -20 à 70°C (de -4 à 158°F)
Matériau du cône et de la membrane	Cône en polypropylène et membrane en caoutchouc
Degré de résistance à l'eau et à la poussière	IEC 60529 IP65 (protégé contre les infiltrations d'eau et de poussière)

*Caisson clos, entièrement rempli de matériau absorbant.

REMARQUE : ce haut-parleur n'a pas été conçu pour être installé dans un caisson à évent ou bass-reflex lorsqu'il est exposé à l'extérieur.

Dimensions du haut-parleur



①	274 mm (10 13/16 po)
②	Grille classique : 32 mm (1 1/4 po) Grille Sports : 37 mm (1 7/16 po)
③	110 mm (4 5/16 po)
④	221 mm (8 11/16 po)

L'illustration du caisson de basse présente le modèle Sports mais les dimensions sont identiques à celles du modèle classique, sauf mention contraire.

Distance de sécurité au compas du caisson de basse

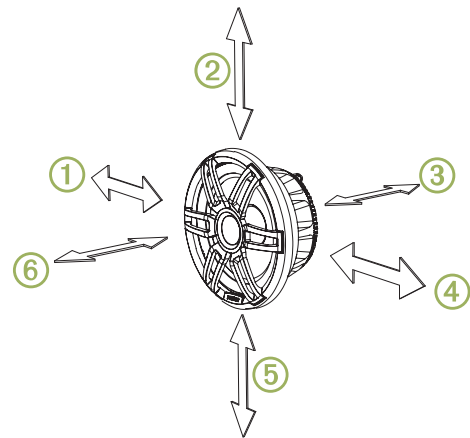
Tous les haut-parleurs et les caissons de basse contiennent des aimants susceptibles d'engendrer des interférences avec les autres instruments du bateau. La taille de l'aimant utilisé dans le

caisson de basse joue sur le degré d'intensité de l'interférence qu'il peut entraîner.

Les interférences peuvent provoquer des écarts et des inexactitudes dans les lectures fournies par les équipements de navigation sensibles, comme les compas magnétiques. Ces écarts peuvent entraîner des lectures inexactes ou décalées sans avoir de conséquences néfastes sur les équipements en question. Pour réduire ces écarts, ajustez le compas en prenant compte de la valeur de décalage, conformément aux instructions du fabricant, ou éloignez le caisson de basse de l'équipement de navigation. Quand vous déplacez une source d'interférence, vous devrez peut-être procéder au réétalonnage du compas.

Si seul un compas magnétique vous guide pendant la navigation, soyez très prudent lorsque vous éloignez le haut-parleur du compas afin d'éviter de provoquer des écarts de lecture.

Pour éviter les écarts dans votre équipement de navigation, éloignez le caisson de basse en respectant les distances minimum répertoriées dans le tableau ci-dessous.



Direction depuis le caisson de basse	Caisson de basses 10 po
①	280 cm (9 pi 2 po)
②	280 cm (9 pi 2 po)
③	370 cm (12 pi 2 po)
④	280 cm (9 pi 2 po)
⑤	295 cm (9 pi 8 po)
⑥	350 cm (11 pi 6 po)

Paramètres Thiele Small

Vous pouvez utiliser les paramètres Thiele Small (T/S) si vous souhaitez fabriquer un caisson personnalisé pour votre caisson de basse.

REMARQUE : les paramètres Thiele Small peuvent varier en fonction de l'environnement et de la fréquence d'utilisation du haut-parleur. Ces valeurs peuvent vous servir de guide pour la conception de votre caisson.

Facteur de qualité électrique (Q_{es})	1,20
Facteur de qualité mécanique (Q_{ms})	5,80
Facteur de qualité totale (Q_{ts})	0,99
Fréquence de résonance (F_s)	41 Hz
Charge d'air équivalente (V_{as})	40 L

Subwoofer XS Series Istruzioni di installazione

Informazioni importanti sulla sicurezza

⚠ AVVERTENZA

La mancata osservanza delle seguenti avvertenze e avvisi potrebbe causare lesioni personali, danni al veicolo o all'imbarcazione o scarse prestazioni del prodotto.

Se guiden *Vigtige oplysninger om sikkerhed og produkter* i æsken med produktet for at se produktadvarsler og andre vigtige oplysninger.

Questo dispositivo deve essere installato attenendosi alle seguenti istruzioni.

Scollegare l'alimentazione del veicolo o dell'imbarcazione prima di installare il prodotto.

⚠ ATTENZIONE

L'esposizione costante a livelli di pressione audio superiori a 100 dBA può causare perdita di udito permanente. Generalmente il volume è troppo alto se non si riescono a sentire le persone che parlano. Limitare la quantità di tempo in cui si utilizza il volume alto. Se si avvertono fischi alle orecchie o suoni ovattati, interrompere l'ascolto e far controllare l'udito.

Durante le operazioni di foratura, taglio o carteggiatura, indossare degli occhiali protettivi, una maschera antipolvere e un'adeguata protezione per l'udito.

AVVISO

Prima di effettuare fori o tagli verificare l'eventuale presenza di oggetti nel lato opposto della superficie da tagliare.

Per prestazioni ottimali, è consigliata l'installazione del sistema audio da parte di un tecnico specializzato.

Leggere tutte le istruzioni di installazione prima di iniziare l'installazione. In caso di difficoltà durante l'installazione, visitare il sito Web www.fusionentertainment.com per assistenza relativa ai prodotti.

Dopo aver installato il subwoofer, impostare un volume medio-basso per le prime ore di utilizzo. Ciò consente di migliorare l'audio complessivo allentando gradualmente i componenti mobili del subwoofer, ad esempio il cono, il ragno e il surround

Contenuto della confezione

- 1 subwoofer
- 6 viti di montaggio Phillips in acciaio inossidabile 4,8 mm x 50 mm (10 poll. x 2 poll.)
- Dima per il montaggio
- Griglie

Strumenti necessari per l'installazione

- Trapano elettrico
- Punta da trapano (la dimensione varia in base al materiale della superficie)
- Cacciavite Phillips
- Spelacavi
- Crimpatrice
- Nastro isolante
- Sega o taglierino per tagliare il materiale della superficie
- Sigillante marino (opzionale)
- Sezione cavi dell'altoparlante adatta alla lunghezza richiesta

NOTA: per le installazioni personalizzate, potrebbero essere necessari altri strumenti e materiali.

Informazioni sull'installazione

Selezionare la posizione di installazione corretta è fondamentale per ottimizzare le prestazioni del sistema audio. Questo subwoofer FUSION è progettato per l'installazione pressoché ovunque, tuttavia è importante pianificare l'installazione per migliorare la qualità dell'audio emesso dal subwoofer.

- Il sistema audio deve essere spento prima di effettuare qualsiasi collegamento. In caso contrario potrebbero verificarsi danni permanenti al sistema audio.
- Proteggere tutti i terminali e le connessioni da incagliamenti. In caso contrario potrebbero verificarsi danni permanenti al sistema audio che invalideranno la garanzia del prodotto.
- Proteggere i cavi del subwoofer da oggetti acuminati e utilizzare sempre occhielli di gomma per i cablaggi nei pannelli.
- La posizione di installazione deve evitare potenziali ostacoli, ad esempio carburante, tubi idraulici e cavi.
- La posizione di installazione deve fornire ingombro sufficiente alla profondità di installazione del subwoofer, come indicato nei disegni e nelle specifiche del prodotto.
- Laddove possibile, l'area dietro a ciascun subwoofer deve essere racchiusa.
- Per evitare interferenze con una bussola magnetica, installare il subwoofer rispettando la distanza di sicurezza dalla bussola indicata nelle specifiche del prodotto.
- Selezionare una superficie di installazione piatta per sigillare in modo ottimale.
- Per prestazioni ottimali dei bassi, installare il subwoofer in un'area che prevede spazio sufficiente dietro il subwoofer. Un'area troppo ridotta limita i bassi e un'area troppo vasta compromette le prestazioni dei bassi. Fare riferimento alle caratteristiche tecniche per informazioni sul volume ottimale.
- Se il subwoofer non è montato all'esterno, è possibile ottenere migliori prestazioni dei bassi utilizzando un involucro dotato di porte. Nelle caratteristiche tecniche vengono forniti i parametri Theile Small per consentire l'utilizzo di un design con involucro e porte.
- Se si decide di installare il subwoofer al di fuori dell'imbarcazione, osservare quanto segue.
 - Se montato correttamente, il subwoofer ha un grado di protezione IP65 per l'impiego in ambienti marini. L'esposizione all'acqua e i danni alla parte posteriore del subwoofer invalidano la garanzia.
 - Il subwoofer deve essere installato in una posizione nettamente sopra la superficie dell'acqua, in modo tale che non venga sommerso.
 - Installare il subwoofer in una posizione che eviti danni causati da banchine, piloni o altre attrezzature.
 - Ciò include l'installazione in un involucro sigillato, specialmente se lavabile. Una porta o una presa d'aria potrebbero consentire all'acqua di penetrare nell'involucro e danneggiare il subwoofer.

Installazione del subwoofer

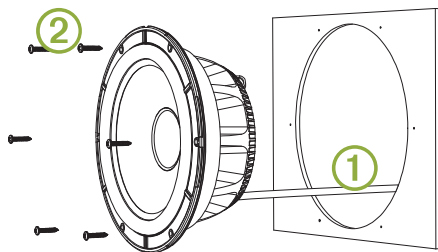
Prima di installare il subwoofer, scegliere una posizione seguendo le linee guida precedenti.

Prima di tagliare la superficie di montaggio è necessario verificare che lo spazio dietro alla superficie sia sufficiente ad ospitare l'altoparlante. Fare riferimento alle caratteristiche tecniche per informazioni sull'ingombro.

AVVISO

Non applicare grasso o lubrificante alle viti durante il fissaggio del subwoofer alla superficie di montaggio. Il grasso o altri lubrificanti possono causare danni all'alloggiamento del subwoofer.

- 1 Passare i cavi dalla sorgente alla posizione del subwoofer, lontano da fonti di interferenza elettrica.
- 2 Rifinire la dima e accertarsi che sia idonea per la posizione selezionata.
- 3 Orientare la dima affinché il logo FUSION sia allineato nella posizione selezionata.
- 4 Fissare la dima nella posizione di installazione.
- 5 Tagliare con una sega o con uno strumento a rotazione la superficie di installazione seguendo l'interno della linea sulla dima.
- 6 Posizionare il subwoofer nel foro per verificare l'ingombro.
- 7 Se necessario, utilizzare una lima e della carta abrasiva per rifinire l'incasso.
- 8 Dopo aver inserito correttamente il subwoofer nell'incasso, accertarsi che i fori di montaggio su quest'ultimo siano allineati ai fori di riferimento sulla dima.
- 9 Se i fori di montaggio non sono allineati sul subwoofer segnare le nuove posizioni dei fori.
- 10 Con una punta da trapano di dimensioni compatibili con la superficie di installazione e con il tipo di viti, praticare i fori.
- 11 Rimuovere la dima dalla superficie di installazione.
- 12 Collegare i cavi del subwoofer ① osservando la polarità (*Collegamenti del subwoofer, pagina 11*).



- 13 Se necessario, collegare i cavi LED al subwoofer modello Sport (*Cavi LED, pagina 11*).
- 14 Posizionare il subwoofer nell'incasso.
- 15 Fissare il subwoofer alla superficie di installazione utilizzando le viti in dotazione ②.

NOTA: non serrare eccessivamente le viti, specialmente se la superficie di installazione non è piana.
- 16 Con il subwoofer installato, posizionare la griglia con il logo FUSION rivolto verso la parte inferiore oppure posizionato a ore 6.
- 17 Premere sulla griglia finché non scatta in posizione.

Collegamenti del subwoofer

Quando si collega il subwoofer all'amplificatore o alla sorgente, tenere presente quanto segue.

- Il cavo dell'altoparlante non è incluso con il subwoofer. Utilizzare un cavo dell'altoparlante da 20 AWG (0,52 mm²) per collegare il subwoofer all'amplificatore o alla sorgente.
- Per terminare i fili del subwoofer vengono utilizzati connettori maschio a forcella. Per un collegamento ottimale, utilizzare connettori femmina a forcella (non inclusi) per collegare il cavo dell'altoparlante ai fili elettrici dell'altoparlante.
- Il subwoofer include una bobina doppia a 2 Ohm che può essere configurata per il funzionamento in modalità 2.1 (due altoparlanti e un subwoofer) se collegato a uno stereo FUSION con funzionalità DSP (*Configurazione del subwoofer per il funzionamento in modalità 2.1, pagina 12*).
- È possibile utilizzare la tabella seguente per identificare la polarità dei fili elettrici dell'altoparlante.

Bianco	Positivo (+)
Grigio con una striscia nera	Negativo (-)

NOTA: i cavi grigio e bianco con una striscia nera sono collegati ai terminali del ponticello sulla parte posteriore del subwoofer. Questi cavi devono rimanere collegati ai terminali del ponticello per il normale utilizzo (4 Ohm) e dovrebbero essere scollegati solo quando si configura l'altoparlante per il funzionamento in modalità 2.1.

Cavi LED

Collegamento dei cavi LED

È possibile controllare il colore dei LED collegando i relativi cavi a terra. È possibile congiungere il cavo di terra ai diversi cavi LED per personalizzare il colore del LED.

NOTA: questa funzione è disponibile solo sul modello Sport.

NOTA: anziché collegare i cavi LED per un solo colore dedicato, è possibile installare un telecomando per spegnere e accendere i LED, cambiare il colore e creare effetti di luce. Per ulteriori informazioni, contattare il rivenditore FUSION o www.fusionentertainment.com.

Il cavo nero sul cavo del LED termina con un connettore a proiettile femmina da 4 mm e i cavi colorati terminano con connettori a proiettile maschio da 4 mm. È possibile collegare questi connettori a proiettile da 4 mm ai propri cavi (non inclusi) o rimuovere i connettori a proiettile per collegarli ai cavi privi di protezione.

- 1 Collegare un cavo positivo al cavo nero sul cavo del LED.
- 2 Collegare un cavo di terra al filo sul cavo LED in base al colore LED preferito.

Colore del LED	Colore del cavo LED
Rosso	Rosso
Verde	Verde
Blu	Blu
Giallo	Rosso e verde
Magenta	Rosso e blu
Ciano	Blu e verde
Bianco	Rosso, verde e blu

- 3 Passare i cavi positivi e negativi e collegarli a una fonte di alimentazione (*Collegamento dei cavi LED all'alimentazione, pagina 11*).

Collegamento dei cavi LED all'alimentazione

NOTA: questa funzione è disponibile solo sul modello Sport.

È necessario collegare tutti i cavi da 12 V cc dei LED a un fusibile 3 A nell'estremità della fonte di alimentazione del cavo. Collegare il cavo di alimentazione positivo (+) a una fonte di alimentazione 12 V cc tramite un interruttore/sezionatore o un interruttore automatico per accendere e spegnere i LED. È possibile utilizzare lo stesso interruttore/sezionatore o interruttore automatico che controlla l'alimentazione dello stereo per accendere e spegnere contemporaneamente i LED e lo stereo.

Utilizzare un cavo da 22 AWG (0,33 mm²) o di maggior spessore per collegare i LED alla batteria.

- 1 Passare i cavi di alimentazione positivi (+) e i cavi di terra negativi (-) dai collegamenti dei cavi LED alla batteria.
- 2 Collegare il cavo negativo al terminale negativo (-) della batteria.
- 3 Collegare il cavo positivo al terminale positivo (+) mediante un fusibile 3 A e un interruttore/sezionatore o interruttore automatico.

Ottimizzazione dell'audio del subwoofer

Mentre si installa il subwoofer, è possibile garantirne l'ottimizzazione dell'audio impostandolo in modalità fuori fase. È possibile scambiare i cavi positivo e negativo sull'amplificatore o sulla sorgente per impostarli in modalità fuori fase.

Impostando il subwoofer in modalità fuori fase rispetto agli altoparlanti, è possibile verificare se i bassi vengono emessi dal subwoofer o dagli altoparlanti. Se la modalità fuori fase consente di percepire meglio i bassi emessi dagli altoparlanti, il cablaggio fuori fase è quello corretto per il sistema in uso.

È possibile utilizzare il subwoofer in modalità fuori fase scambiando temporaneamente i collegamenti positivi e negativi del subwoofer sull'amplificatore o la sorgente. In base al risultato del test, è possibile scambiare nuovamente i collegamenti se necessario.

Configurazione del subwoofer per il funzionamento in modalità 2.1

Il subwoofer include due bobine da 2 Ohm ed è preconfigurato per il funzionamento a 4 Ohm. È possibile modificare la configurazione del subwoofer per il funzionamento in modalità 2.1 (due altoparlanti e un subwoofer) se collegato a uno stereo FUSION con funzionalità DSP, ad esempio un Apollo RA770.

- 1 Scollegare il cavo grigio e il cavo bianco con una striscia nera dai terminali del ponticello sulla parte posteriore del subwoofer.
- 2 Collegare i cavi dal subwoofer allo stereo utilizzando la seguente tabella come riferimento.

Cavo del subwoofer	Cavo dello stereo
Bianco	Destro zona 2 positivo (+)
Bianco con una striscia nera	Destro zona 2 negativo (-)
Grigio	Sinistro zona 2 positivo (+)
Grigio con una striscia nera	Sinistro zona 2 negativo (-)

- 3 Accendere lo stereo collegato.
- 4 Avviare l'app FUSION-Link e selezionare l'opzione 2.1 per lo stereo collegato.

Il subwoofer funziona in modalità 2.1, con il controllo del volume collegato alla zona 1 dello stereo. Il controllo del volume della zona 2 e i connettori line out della zona 2 sono disattivati.

Ulteriori informazioni

Prodotti True-Marine

I prodotti True-Marine sono soggetti a rigorosi test ambientali in condizioni marine difficili per superare le linee guida del settore dei prodotti per la nautica.

I prodotti che includono il bollino di garanzia True-Marine sono stati progettati per la semplicità d'uso e combinano le tecnologie per la nautica più avanzate per offrire un'esperienza di intrattenimento leader del settore. Tutti i prodotti True-Marine sono supportati dalla garanzia mondiale del consumatore FUSION limitata di 3 anni.

Registrazione del XS Series

Per un'assistenza completa, eseguire subito la registrazione in linea.

- Visitare il sito Web www.fusionentertainment.com.
- Conservare in un luogo sicuro la ricevuta di acquisto originale o la fotocopia.

Pulizia del subwoofer

AVVISO

Non utilizzare detergenti aggressivi o a base di solventi sul subwoofer. L'uso di tali detergenti può danneggiare il prodotto e invalidare la garanzia.

Se montato correttamente, questo subwoofer ha un grado di protezione IP65 per l'impiego in ambienti marini difficili. Il subwoofer non è progettato per resistere a spruzzi d'acqua ad alta pressione, che potrebbero verificarsi durante il lavaggio dell'imbarcazione. Gli spruzzi d'acqua possono danneggiare il prodotto e invalidare la garanzia.

- 1 Rimuovere l'acqua salata e i residui di sale dalla griglia del subwoofer con un panno soffice inumidito con acqua dolce.
- 2 Utilizzare un detergente delicato per rimuovere gli accumuli di sale o le macchie d'acqua.

Risoluzione dei problemi

Prima di contattare il rivenditore FUSION o il centro assistenza, effettuare una semplice procedura per diagnosticare il problema.

Se il subwoofer FUSION è stato installato da una ditta di installazione professionale, contattare la ditta in modo che i tecnici possano valutare il problema e fornire possibili soluzioni.

Dal subwoofer non proviene alcun suono

- Verificare che tutti i collegamenti siano collegati correttamente ai terminali appropriati.

Il sistema non emette i bassi

- Verificare che il subwoofer sia collegato saldamente alla superficie di installazione.

L'audio è distorto

- Verificare che i pannelli che circondano il subwoofer sull'imbarcazione non emettano fruscii.
- Verificare che l'amplificatore sia collegato correttamente ai terminali del subwoofer.
- Se il subwoofer è collegato a un amplificatore, verificare che il livello di input dell'amplificatore corrisponda al livello di output dello stereo.

Per ulteriori informazioni, consultare il manuale dell'amplificatore.

Le luci LED non si accendono

- Verificare che tutti i collegamenti dei cavi siano corretti e saldi.

I LED pulsano con le note musicali basse

- Installare un regolatore di tensione LED FUSION (SG-VREGLED).

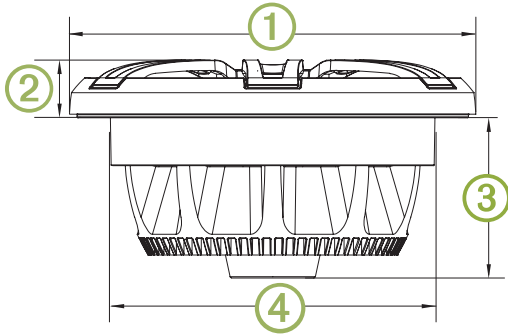
Specifiche

Potenza picco (Watt)	600 W
Potenza RMS (Watt)	120 W
Efficienza (1 W/1 m)	87 dB
Risposta in frequenza	Da 30 Hz a 2000 Hz
Impedenza nominale	4 ohm
Potenza amplificatore consigliata (RMS)	Da 40 a 300 W per canale
Minima minima (ingombro)	113 mm (4 7/16 poll.)
Diametro di installazione (ingombro)	223 mm (8 3/4 poll.)
Nota sul volume di rivestimento ottimale*	40 L
Opzioni dei colori LED (solo nei modelli sport)	RGB
Tensione di alimentazione LED (solo per modello Sport)	Da 10,8 a 16 V CC
Corrente di carico LED a 14,4 V cc (solo per modello Sport)	150 mA
Temperatura operativa	Da 0 a 50 °C (da 32 a 122 °F)
Temperatura di stoccaggio	Da -20 a 70 °C (da -4 a 158 °F)
Materiale del cono/rivestimento	Cono di polipropilene, rivestimento in gomma
Classificazione di impermeabilità e resistenza alla polvere	IEC 60529 IP65 (protezione contro polvere e infiltrazioni d'acqua)

*Rivestimento sigillato, riempito completamente con materiale assorbente.

NOTA: se utilizzato all'aperto, non installare l'altoparlante in un involucro con ventole o porte.

Dimensioni dell'altoparlante



①	274 mm (10 ¹³ / ₁₆ poll.)
②	Griglia del modello Classico: 32 mm (1 ¹ / ₄ poll.) Griglia del modello Sport: 37 mm (1 ⁷ / ₁₆ poll.)
③	110 mm (4 ⁵ / ₁₆ poll.)
④	221 mm (8 ¹ / ₁₆ poll.)

Nell'esempio viene mostrato un subwoofer modello Sport, ma le dimensioni sono le stesse del subwoofer modello Classico, salvo se indicato diversamente.

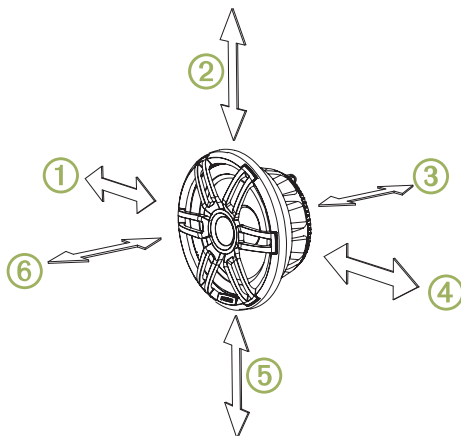
Distanza di sicurezza del subwoofer dalla bussola

Tutti gli altoparlanti e i subwoofer contengono magneti che possono causare interferenze con le strumentazioni sull'imbarcazione. La dimensione del magnete utilizzato nel subwoofer influisce sulla quantità di interferenza causata dal subwoofer.

L'interferenza può causare deviazioni e variazioni nelle letture delle apparecchiature di navigazione sensibili, ad esempio le bussole magnetiche. Tali deviazioni possono causare imprecisioni o differenze nelle letture, ma non causeranno danni alle apparecchiature. Per ridurre le deviazioni, regolare la bussola per la deviazione attenendosi alle istruzioni fornite dal produttore o allontanare il subwoofer dalle apparecchiature di navigazione. Dopo aver spostato una fonte di interferenza, è possibile ricalibrare la bussola.

Se durante la navigazione viene utilizzata esclusivamente una bussola magnetica, accertarsi di posizionare l'altoparlante sufficientemente lontano dalla bussola per evitare di causare deviazioni nelle letture.

Per evitare deviazioni alle apparecchiature di navigazione, posizionare il subwoofer alla distanza minima indicata nella tabella riportata di seguito dalle apparecchiature di navigazione.



Direzione dal subwoofer	Subwoofer da 10"
①	280 cm (2 piedi 9 poll.)
②	280 cm (2 piedi 9 poll.)
③	370 cm (12 piedi 2 poll.)
④	280 cm (2 piedi 9 poll.)
⑤	295 cm (9 piedi 8 poll.)
⑥	350 cm (11 piedi 6 poll.)

Parametri Thiele Small

È possibile utilizzare i parametri Thiele Small (T/S) per creare un involucro personalizzato del subwoofer.

NOTA: i parametri Thiele/Small variano in base ai modelli, all'ambiente e all'usura dell'altoparlante. Questi valori fungono da guida per creare il design dell'involucro.

Fattore Q elettrico (Q_{es})	1.20
Fattore Q meccanico (Q_{ms})	5.80
Fattore Q totale (Q_{es})	0.99
Frequenza risonanza (F_s)	41 Hz
Carico aria equivalente (V_{come})	40 L

Subwoofer der XS Series – Installationsanweisungen

Wichtige Sicherheitsinformationen

⚠️ WARNUNG

Wenn Sie die Warnungen und Vorsichtshinweise nicht beachten, könnte es zu Personenschäden, Schäden am Fahrzeug oder Boot oder zu einer schlechten Leistung des Produkts kommen.

Lesen Sie alle Produktwarnungen und sonstigen wichtigen Informationen der Anleitung "*Wichtige Sicherheits- und Produktinformationen*", die dem Produkt beiliegt.

Das Gerät muss gemäß diesen Anweisungen installiert werden.

Beginnen Sie erst mit der Installation dieses Produkts, wenn Sie die Stromversorgung des Fahrzeugs oder Boots getrennt haben.

⚠️ ACHTUNG

Wenn Sie fortwährend Schalldruckpegeln von mehr als 100 dBA ausgesetzt sind, können Sie Ihr Gehör dauerhaft schädigen. In der Regel ist die Lautstärke zu hoch eingestellt, wenn Sie Menschen, die sich in Ihrer Nähe unterhalten, nicht hören können. Begrenzen Sie in diesem Zusammenhang den Zeitraum, in dem Sie sich einer erhöhten Lautstärke aussetzen. Bei Klingelgeräuschen im Ohr oder der Wahrnehmung gedämpfter Töne sollten Sie das Anhören von Musik oder Ähnlichem einstellen und Ihr Gehör überprüfen lassen.

Tragen Sie beim Bohren, Schneiden und Schleifen immer Schutzbrille, Gehörschutz und eine Staubschutzmaske.

HINWEIS

Prüfen Sie beim Bohren oder Schneiden stets die andere Seite der zu bearbeitenden Fläche.

Es wird dringend empfohlen, das Audiosystem von Fachpersonal installieren zu lassen, um eine optimale Leistung zu erzielen.

Lesen Sie die gesamten Installationsanweisungen, bevor Sie mit der Installation beginnen. Sollten bei der Installation Probleme auftreten, finden Sie unter www.fusionentertainment.com Supportinformationen.

Nach der Installation des Subwoofers sollten Sie während der ersten Stunden der Benutzung eine niedrige oder mittlere Lautstärke wählen. Dadurch wird der Klang verbessert, da die beweglichen Teile des Subwoofers langsam gelöst werden, z. B. Membran, Spinne und Gehäuse.

Lieferumfang

- 1 Subwoofer
- 6 Kreuzschlitz-Befestigungsschrauben aus Edelstahl, 4,8 mm x 50 mm (AWG 10 x 2 Zoll)
- Montageschablone
- Gitter

Erforderliches Werkzeug

- Elektrische Bohrmaschine
- Bohrer (die Größe variiert je nach Material der Oberfläche)
- Kreuzschlitzschraubendreher
- Seitenschneider
- Crimpzange
- Isolierband
- Geeignete Säge oder Teppichmesser zum Schneiden der Oberfläche
- Seewassertaugliches Dichtungsmittel (optional)
- Lautsprecherleitung mit einem angemessenen Leitungsquerschnitt für die erforderliche Länge

HINWEIS: Bei einer individuell angepassten Installation ist u. U. zusätzliches Werkzeug und Material erforderlich.

Hinweise zur Montage

Die Auswahl des richtigen Montageorts ist für eine optimale Leistung des Audiosystems unerlässlich. Dieser FUSION Subwoofer wurde so entwickelt, dass er an möglichst vielen Montageorten montiert werden kann. Je besser Sie die Installation planen, desto besser wird der Klang des Subwoofers sein.

- Das Audiosystem muss ausgeschaltet sein, bevor Sie Verbindungen herstellen. Andernfalls könnte es zu dauerhaften Schäden am Audiosystem kommen.
- Schützen Sie alle Anschlüsse und Verbindungen vor Erdung, und achten Sie darauf, dass sie sich nicht berühren. Andernfalls könnte das Audiosystem dauerhaft beschädigt werden und die Produktgarantie erlöschen.
- Halten Sie die Leitungen von scharfen Gegenständen fern, und verwenden Sie beim Verlegen der Kabel durch Konsolen stets Gummitüllen.
- Der Montageort muss frei von möglichen Hindernissen wie Kraftstoff- und Hydraulikleitungen sowie -kabeln sein.
- Am Montageort muss ausreichend Freiraum für die in den Zeichnungen der Seitenansicht und in den technischen Daten des Produkts angegebene Montagetiefe des Subwoofers sein.
- Der Bereich hinter den einzelnen Subwoofern sollte nach Möglichkeit geschlossen sein.
- Damit es nicht zu Interferenzen mit Magnetkompassen kommt, muss bei der Montage des Subwoofers der in den technischen Daten zum Produkt aufgeführte Sicherheitsabstand zum Kompass eingehalten werden.
- Wählen Sie eine flache Montagefläche, um eine optimale Dichtung zu erzielen.
- Verbessern Sie die Bassleistung, indem Sie den Subwoofer an einem Ort montieren, der hinter dem Subwoofer gerade ausreichend Platz bietet. Ist der Platz zu klein, wird der Bass gehemmt. Ist er zu groß, wird die Bassleistung eingeschränkt. Empfehlungen zum optimalen Volumen finden Sie in den technischen Daten.
- Wenn ein Subwoofer nicht im Freien montiert ist, wird die Bassleistung durch ein Bassreflexgehäuse verbessert. Die technischen Daten enthalten Thiele-Small-Parameter, um Sie beim Entwurf des Gehäuses zu unterstützen.
- Wenn Sie den Subwoofer an der Außenseite des Boots montieren möchten, beachten Sie diese Hinweise.
 - Bei ordnungsgemäßer Montage entspricht der Subwoofer der Schutzklasse IP65 für den Schutz vor den Bedingungen auf See auf der Vorderseite des Subwoofers. Wenn die Rückseite des Subwoofers Feuchtigkeit ausgesetzt wird oder sie beschädigt wird, führt dies zum Erlöschen der Garantie.
 - Montieren Sie den Subwoofer an einem Ort, an dem er sich weit oberhalb der Wasserlinie und nicht unter Wasser befindet.
 - Der Subwoofer muss an einem Ort montiert werden, an dem er nicht durch Docks, Pfeiler oder andere Teile beschädigt werden kann.
 - Der Subwoofer sollte in einem geschlossenen Gehäuse montiert werden, insbesondere, wenn er abfließendem Wasser ausgesetzt ist. Durch eine Öffnung kann sich Wasser im Gehäuse sammeln, was eine Beschädigung des Subwoofers zur Folge haben kann.

Montieren des Subwoofers

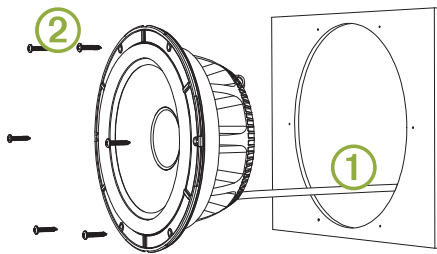
Wählen Sie vor der Montage des Subwoofers einen Montageort aus. Beachten Sie dabei die oben angegebenen Hinweise zur Montage.

Überprüfen Sie vor dem Schneiden der Montagefläche, ob dahinter genug Freiraum für den Lautsprecher vorhanden ist. Informationen zum Freiraum finden Sie in den technischen Daten.

HINWEIS

Tragen Sie kein Schmiermittel auf die Schrauben auf, wenn Sie den Subwoofer an der Montagefläche befestigen. Schmiermittel können das Gehäuse des Subwoofers beschädigen.

- 1 Verlegen Sie die Leitungen von der Quelle zum Montageort des Subwoofers. Dabei muss ausreichend Abstand zu elektronischen Störquellen bestehen.
- 2 Schneiden Sie die Schablone zu, und achten Sie darauf, dass sie an den gewählten Montageort passt.
- 3 Richten Sie die Schablone so aus, dass das FUSION Logo am gewählten Montageort gerade ausgerichtet ist.
- 4 Befestigen Sie die Schablone am gewählten Ort.
- 5 Schneiden Sie mit einer Stichsäge die Montagefläche entlang der Innenseite der Schablonenlinie aus.
- 6 Setzen Sie den Subwoofer in den Ausschnitt ein, um den Sitz zu testen.
- 7 Passen Sie den Durchmesser des Ausschnitts bei Bedarf mit Feile und Sandpapier an.
- 8 Wenn der Subwoofer ordnungsgemäß im Ausschnitt sitzt, vergewissern Sie sich, dass die Montagelöcher am Subwoofer auf die Vorbohrungen der Schablone ausgerichtet sind.
- 9 Ist das nicht der Fall, kennzeichnen Sie neue Positionen für die Löcher.
- 10 Bringen Sie mit einem für die Montagefläche und den Schraubentyp geeigneten Bohrer die Löcher an.
- 11 Entfernen Sie die Schablone von der Montagefläche.
- 12 Verbinden Sie die Subwooferleitungen ①, und achten Sie dabei auf die korrekte Ausrichtung der Pole (*Subwooferverkabelung, Seite 15*).



- 13 Verbinden Sie bei Bedarf die LED-Leitungen mit dem Subwoofer des Sportmodells (*LED-Verkabelung, Seite 15*).
- 14 Setzen Sie den Subwoofer in den Ausschnitt ein.
- 15 Sichern Sie den Subwoofer mit den mitgelieferten Schrauben ② an der Montagefläche.
HINWEIS: Ziehen Sie die Schrauben nicht zu fest an. Dies gilt besonders dann, wenn die Montagefläche nicht flach ist.
- 16 Montieren Sie zunächst den Subwoofer. Halten Sie das Gitter dann so, dass sich das FUSION Logo unten befindet (6-Uhr-Position).
- 17 Drücken Sie auf das Gitter, damit es einrastet.

Subwooferverkabelung

Beachten Sie die folgenden Hinweise, wenn Sie den Subwoofer mit dem Verstärker oder der Quelle verbinden.

- Lautsprecherleitungen sind nicht im Lieferumfang des Subwoofers enthalten. Verwenden Sie Lautsprecherleitungen mit einer Stärke von 0,52 mm² (AWG 20), um den Subwoofer mit dem Verstärker oder der Quelle zu verbinden.
- Die Leitungen am Subwoofer werden mit Kabelschuhen (Steckern) abgeschlossen. Verwenden Sie einen Kabelschuh (Buchse; nicht im Lieferumfang enthalten), um die Lautsprecherleitung mit den Lautsprecherdrähten zu verbinden und so die beste Verbindung zu erhalten.
- Der Subwoofer ist mit einer dualen 2-Ohm-Schwingspule ausgestattet, die für den 2.1-Betrieb (zwei Lautsprecher und ein Subwoofer) konfiguriert werden kann, wenn er mit einem FUSION Radio mit DSP-Funktion verbunden ist (*Konfigurieren des Subwoofers für den 2.1-Betrieb, Seite 16*).
- Nutzen Sie die folgende Tabelle, um die Polarität der Leitungen am Lautsprecher zu ermitteln.

Weiß	Positiv (+)
Grau mit einem schwarzen Streifen	Negativ (-)

HINWEIS: Graue Leitungen und weiße Leitungen mit einem schwarzen Streifen werden mit den Brücken auf der Rückseite des Subwoofers verbunden. Diese Leitungen müssen für den normalen Betrieb (4 Ohm) mit den Brücken verbunden bleiben und sollten nur getrennt werden, wenn der Lautsprecher für den 2.1-Betrieb konfiguriert wird.

LED-Verkabelung

Verbinden der LED-Leitungen

Steuern Sie die Farbe der LEDs, indem Sie die LED-Farbleitungen mit der Masse verbinden. Sie können die Masseleitung mit mehreren LED-Leitungen verdrillen, um die LED-Farbe anzupassen.

HINWEIS: Diese Funktion ist nur bei den Sportmodellen verfügbar.

HINWEIS: Anstatt die LED-Leitungen für eine spezielle Farbe zu verbinden, können Sie eine Fernbedienung installieren, um die LEDs ein- und auszuschalten, die Farbe zu ändern und Beleuchtungseffekte zu schaffen. Weitere Informationen erhalten Sie bei Ihrem FUSION Händler oder unter www.fusionentertainment.com.

Die schwarze Leitung des LED-Kabels hat am Abschluss eine 4-mm-Rundbuchse, und die Farbleitungen haben am Abschluss 4-mm-Rundstecker. Sie können diese mit 4-mm-Rundsteckern an den Leitungen verbinden (nicht im Lieferumfang enthalten) oder die Rundstecker entfernen, um stattdessen die offenen Enden zu verbinden.

- 1 Verbinden Sie eine positive Leitung mit der schwarzen Leitung des LED-Kabels.
- 2 Verbinden Sie entsprechend der bevorzugten LED-Farbe eine Masseleitung mit der Leitung am LED-Kabel.

Farbe der LED	Farbe der LED-Leitung
Rot	Rot
Grün	Grün
Blau	Blau
Gelb	Rot und grün
Magenta	Rot und blau
Zyanblau	Blau und grün
Weiß	Rot, grün und blau

- 3 Verlegen Sie die positive und die negative Leitung, und verbinden Sie sie mit einer Stromquelle (*Verbinden der LED-Leitungen mit der Stromversorgung, Seite 15*).

Verbinden der LED-Leitungen mit der Stromversorgung

HINWEIS: Diese Funktion ist nur bei den Sportmodellen verfügbar.

Sie müssen alle 12-V-Gleichspannungskabel der LEDs mit einer 3-A-Sicherung am Kabelende zur Stromversorgung verbinden. Verbinden Sie die positive Stromleitung (+) über einen Trennschalter oder Unterbrecher mit einer 12-V-Gleichspannungsquelle, um die LEDs ein- und auszuschalten. Sie können denselben Trennschalter oder Unterbrecher verwenden, der die Stromversorgung zum Radio regelt. So lassen sich die LEDs und das Radio gleichzeitig ein- und ausschalten.

Verwenden Sie Leitungen mit einer Stärke von mindestens 0,33 mm² (AWG 22), um die LEDs mit der Batterie zu verbinden.

- 1 Führen Sie die positive Stromleitung (+) und die negative Masseleitung (-) von den LED-Leitungen zur Batterie.
- 2 Verbinden Sie die negative Leitung mit dem Minuspol (-) der Batterie.
- 3 Verbinden Sie die positive Leitung über eine 3-A-Sicherung und einen Trennschalter bzw. Unterbrecher mit dem Pluspol (+).

Optimierung des Subwoofer-Klangs

Während der Installation des Subwoofers können Sie den Klang des Subwoofers optimieren. Betreiben Sie den Subwoofer dazu phasenverschoben. Sie können die positiven und negativen Leitungen des Verstärkers oder der Quelle tauschen, um sie phasenverschoben zu betreiben.

Beim phasenverschobenen Betrieb des Subwoofers im Vergleich zu den Lautsprechern können Sie hören, ob der Bass vornehmlich aus Richtung des Subwoofers oder der Lautsprecher kommt. Wenn sich beim phasenverschobenen Betrieb des Subwoofers ergibt, dass der Bass aus Richtung der Lautsprecher stärker ist, eignet sich die phasenverschobene Verkabelung für Ihr System.

Sie können den Subwoofer phasenverschoben betreiben, indem Sie vorübergehend am Verstärker oder an der Quelle die positiven und negativen Verbindungen tauschen. Je nach Testergebnis können Sie die Verbindungen bei Bedarf wieder zurück tauschen.

Konfigurieren des Subwoofers für den 2.1-Betrieb

Der Subwoofer ist mit dualen 2-Ohm-Schwingspulen ausgestattet und für den 4-Ohm-Betrieb vorkonfiguriert. Sie können die Konfiguration des Subwoofers für den 2.1-Betrieb (zwei Lautsprecher und ein Subwoofer) ändern, wenn eine Verbindung mit einem FUSION Radio mit DSP-Funktion besteht, z. B. einem Apollo RA770.

- 1 Trennen Sie die graue Leitung und die weiße Leitung mit einem schwarzen Streifen von den Brücken auf der Rückseite des Subwoofers.
- 2 Verbinden Sie die Leitungen vom Subwoofer mit dem Radio. Nutzen Sie dabei die folgende Tabelle als Referenz.

Subwooferleitung	Radioleitung
Weiß	Zone 2 rechts, positiv (+)
Weiß mit einem schwarzen Streifen	Zone 2 rechts, negativ (-)
Grau	Zone 2 links, positiv (+)
Grau mit einem schwarzen Streifen	Zone 2 links, negativ (-)

- 3 Schalten Sie das verbundene Radio ein.
- 4 Starten Sie die FUSION-Link App, und wählen Sie die 2.1-Option für das verbundene Radio.

Der Subwoofer wird im 2.1-Modus betrieben, wobei die Lautstärkeregelung mit Zone 1 des Radios verbunden ist. Die Lautstärkeregelung für Zone 2 und die Line-Ausgangsanschlüsse für Zone 2 sind deaktiviert.

Weitere Informationen

True-Marine Produkte

True-Marine Produkte werden strengen Umweltprüfungen unter harten marinen Bedingungen unterzogen, um Branchenrichtlinien für Marineprodukte zu übertreffen.

Produkte mit dem True-Marine Qualitätsstempel wurden mit Blick auf eine einfache Bedienung entwickelt und weisen fortschrittliche Marinetechnologien auf, um im Bereich der Schifffahrt optimale Unterhaltung zu bieten. Alle True-Marine Produkte haben eine weltweite, eingeschränkte dreijährige FUSION Garantie.

Registrieren des XS Series

Helfen Sie uns, unseren Service weiter zu verbessern, und füllen Sie die Online-Registrierung noch heute aus.

- Rufen Sie die Website www.fusionentertainment.com auf.
- Bewahren Sie die Originalquittung oder eine Kopie an einem sicheren Ort auf.

Reinigen des Subwoofers

HINWEIS

Verwenden Sie am Subwoofer keine scharfen oder lösemittelhaltigen Reinigungsmittel. Die Verwendung derartiger Reinigungsmittel kann zur Beschädigung des Produkts und zum Erlöschen der Garantie führen.

Bei ordnungsgemäßer Montage entspricht dieser Subwoofer der Schutzklasse IP65 für den Schutz vor den harten Bedingungen auf See auf der Vorderseite des Subwoofers. Der Subwoofer widersteht keinem Hochdruckspritzwasser, wie es beispielsweise beim Reinigen des Schiffs auftreten kann. Seien Sie beim Reinigen des Schiffs mit Spritzwasser vorsichtig. Andernfalls kann es zu Schäden am Produkt und zum Erlöschen der Garantie kommen.

- 1 Entfernen Sie Salzwasser und Salzurückstände am Gitter mit einem Tuch, das mit klarem Wasser befeuchtet wurde.
- 2 Verwenden Sie ein mildes Reinigungsmittel, um starke Salzurückstände oder Flecken zu entfernen.

Fehlerbehebung

Bevor Sie sich mit einem FUSION Händler oder Service-Center in Verbindung setzen, führen Sie die hier beschriebenen einfachen Schritte zur Fehlerbehebung durch, um die Fehlerdiagnose zu erleichtern.

Wenn der FUSION Subwoofer von Fachpersonal installiert wurde, wenden Sie sich an das entsprechende Installationsunternehmen, damit sich ein Techniker das Problem ansehen und eine mögliche Lösung vorschlagen kann.

Der Subwoofer gibt keinen Ton aus

- Vergewissern Sie sich, dass alle Verbindungen ordnungsgemäß mit den entsprechenden Anschlüssen verbunden sind.

Das System gibt keine Bässe wieder

- Vergewissern Sie sich, dass der Subwoofer sicher an der Montagefläche befestigt ist.

Der Ton ist verzerrt

- Vergewissern Sie sich, dass die Konsolen um den Subwoofer auf dem Schiff nicht klappern.
- Vergewissern Sie sich, dass der Verstärker ordnungsgemäß mit den Subwooferanschlüssen verbunden ist.
- Wenn der Subwoofer mit einem Verstärker verbunden ist, stellen Sie sicher, dass der Eingangspegel des Verstärkers dem Ausgabepegel des Radios entspricht.

Weitere Informationen finden Sie im Handbuch des Verstärkers.

Die LEDs gehen nicht an

- Vergewissern Sie sich, dass die Verkabelung überall korrekt und sicher befestigt ist.

Die LEDs pulsieren bei den Basstönen der Musik

- Installieren Sie einen FUSION LED-Spannungsregler (SG-VREGLED).

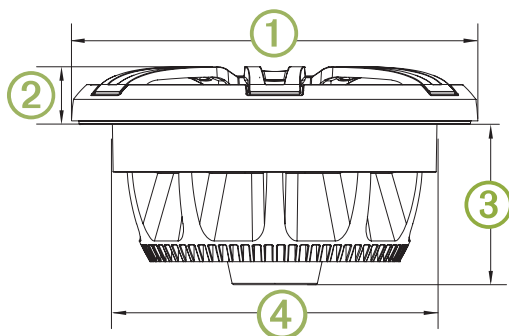
Technische Daten

Leistungsspitze (Watt)	600 W
Effektive Leistung (Watt)	120 W
Wirkungsgrad (1 W/1 m)	87 dB
Frequenzgang	30 Hz bis 2000 Hz
Nominale Impedanz	4 Ohm
Empfohlene Verstärkerleistung (eff.)	40 bis 300 W pro Kanal
Min. Montagetiefe (Freiraum)	113 mm (4 7/16 Zoll)
Montagedurchmesser (Freiraum)	223 mm (8 3/4 Zoll)
Empfehlung für das optimale Volumen des Gehäuses*	40 l
LED-Farboptionen (nur Sportmodell)	RGB
LED-Stromversorgung (nur Sportmodell)	10,8 bis 16 V Gleichspannung
LED-Laststrom bei 14,4 V Gleichspannung (nur Sportmodell)	150 mA
Betriebstemperaturbereich	0 °C bis 50 °C (32 °F bis 122 °F)
Lagertemperaturbereich	-20 °C bis 70 °C (-4 °F bis 158 °F)
Material der Membran/Sicke	Membran: Polypropylen, Sicke: Gummi
Wasser- und Staubbeständigkeit	IEC 60529, IP65 (staubdicht und Schutz vor dem Eindringen von Wasser)

* Geschlossenes Gehäuse; vollständig mit absorbierendem Material ausgekleidet.

HINWEIS: Dieser Lautsprecher ist nicht für die Installation in einem Bassreflexgehäuse vorgesehen, wenn er sich im Freien befindet.

Lautsprechergröße



①	274 mm (10 13/16 Zoll)
②	Gitter (klassische Modelle): 32 mm (1 1/4 Zoll) Gitter (Sportmodelle): 37 mm (1 7/16 Zoll)
③	110 mm (4 5/16 Zoll)
④	221 mm (8 11/16 Zoll)

In der Darstellung ist ein Subwoofer des Sportmodells abgebildet. Sofern nicht anders angegeben, sind die Abmessungen jedoch mit denen eines Subwoofers des klassischen Modells identisch.

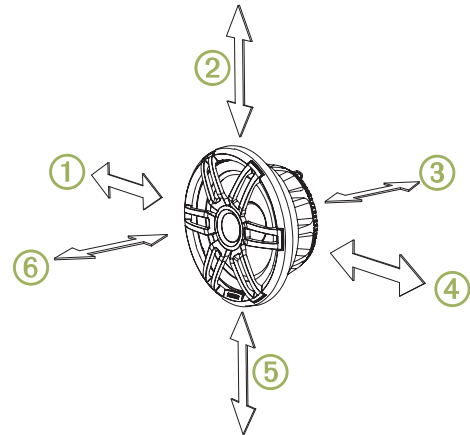
Sicherheitsabstand zwischen Subwoofer und Kompass

Alle Lautsprecher und Subwoofer enthalten Magneten, die ggf. zu Störungen von Instrumenten an Bord führen können. Es hängt von der Größe des Magneten im Subwoofer ab, wie stark die vom Subwoofer evtl. verursachten Störungen sind.

Störungen können zu Abweichungen und Missweisungen bei den Messwerten empfindlicher Navigationsgeräte wie Magnetkompassen führen. Diese Abweichungen können ungenaue oder versetzte Messwerte hervorrufen, beschädigen die Geräte jedoch nicht. Verringern Sie die Abweichungen, indem Sie den Kompass entsprechend den Anweisungen des Herstellers für die Abweichung anpassen oder den Subwoofer aus der Nähe von Navigationsgeräten entfernen. Nachdem Sie eine Störquelle beseitigt haben, müssen Sie den Kompass ggf. neu kalibrieren.

Wenn Sie für die Navigation ausschließlich einen Magnetkompass verwenden, müssen Sie unbedingt darauf achten, einen ausreichenden Abstand zwischen Lautsprecher und Kompass einzuhalten, damit es nicht zu Abweichungen der Messwerte kommt.

Vermeiden Sie Abweichungen der Navigationsgeräte, indem Sie den Subwoofer so positionieren, dass mindestens der in der folgenden Tabelle aufgeführte Abstand zu Navigationsgeräten eingehalten wird.



Richtung vom Subwoofer	10-Zoll-Subwoofer
①	280 cm (9 Fuß 2 Zoll)
②	280 cm (9 Fuß 2 Zoll)
③	370 cm (12 Fuß 2 Zoll)
④	280 cm (9 Fuß 2 Zoll)
⑤	295 cm (9 Fuß 8 Zoll)
⑥	350 cm (11 Fuß 6 Zoll)

Thiele-Small-Parameter

Verwenden Sie die Thiele-Small-Parameter, wenn Sie ein eigenes Gehäuse für den Subwoofer entwerfen.

HINWEIS: Thiele-Small-Parameter können je nach Mustern basierend auf der Umgebung variieren sowie darauf, wie häufig der Lautsprecher verwendet wurde. Diese Werte dienen als Richtlinien, um Sie beim Entwurf des Gehäuses zu unterstützen.

Elektrische Güte (Q_{es})	1,20
Mechanische Güte (Q_{ms})	5,80
Gesamtgüte (Q_{ts})	0,99
Resonanzfrequenz (F_s)	41 Hz
Äquivalentvolumen (V_{as})	40 l

Instrucciones de instalación del subwoofer de la XS Series

Información importante sobre seguridad

⚠ ADVERTENCIA

El incumplimiento de las advertencias y precauciones que se indican puede derivar en daños personales, en el vehículo o en la embarcación, así como en un rendimiento deficiente del producto.

Consulta la guía *Información importante sobre el producto y tu seguridad* que se incluye en la caja del producto y en la que encontrarás advertencias e información importante sobre el producto.

El dispositivo debe instalarse de acuerdo con estas instrucciones.

Desconecta el suministro de alimentación del vehículo o la embarcación antes de iniciar la instalación del producto.

⚠ ATENCIÓN

La exposición constante a niveles de presión acústica superiores a los 100 dBA puede provocar la pérdida permanente de la audición. Si no puedes escuchar a la gente que te rodea, es probable que el volumen sea demasiado alto. Limita la cantidad de tiempo que escuchas el dispositivo con un volumen elevado. Si notas pitidos en el oído o escuchas las voces apagadas, deja de escuchar el dispositivo y acude a tu médico.

Utiliza siempre gafas de seguridad, un protector de oídos y una máscara antipolvo cuando vayas a realizar orificios, cortes o lijados.

AVISO

Al realizar orificios o cortes, comprueba siempre lo que hay al otro lado de la superficie.

Te recomendamos que la instalación del sistema de audio corra a cargo de un instalador profesional con el fin de garantizar un rendimiento óptimo.

Debes leer todas las instrucciones de instalación antes de proceder. Si tienes dificultades durante la instalación, visita www.fusionentertainment.com para obtener asistencia técnica.

Tras instalar el subwoofer, debes utilizarlo con volúmenes bajos a medios durante las primeras horas. Esto ayudará a mejorar el sonido general, aflojando gradualmente los componentes móviles del subwoofer, como el cono, la araña y el marco.

Contenido de la caja

- 1 subwoofer
- 6 tornillos de montaje Phillips de acero inoxidable de 4,8 mm x 50 mm (calibre 10 x 2 in)
- Plantilla de montaje
- Rejillas

Herramientas necesarias

- Taladro eléctrico
- Broca (el tamaño varía en función del material de la superficie)
- Destornillador Phillips
- Peladores de cables
- Herramienta de crimpado
- Cinta para aplicaciones eléctricas
- Sierra o cuchillo de uso general aptos para cortar el material de la superficie
- Sellador marino (opcional)

- Es necesario que el calibre del cableado del altavoz sea el adecuado para la longitud

NOTA: para instalaciones hechas a medida, es posible que se necesiten herramientas y materiales adicionales.

Especificaciones de montaje

La elección de la ubicación de montaje correcta es esencial para optimizar el rendimiento del sistema de audio. Este subwoofer FUSION está diseñado para ofrecer el mejor rendimiento en el mayor número posible de superficies de montaje; no obstante, cuanto mejor planifiques la instalación, mayor será la calidad de sonido del subwoofer.

- El sistema de audio debe apagarse antes de realizar cualquier conexión. De lo contrario, el sistema de audio podría dañarse de forma permanente.
- Debes proteger todos los terminales y conexiones frente a cortocircuitos y evitar que entren en contacto entre ellos. De lo contrario, el sistema de audio podría dañarse de forma permanente y la garantía del producto se anularía.
- Debes mantener los cables lejos de objetos afilados y utilizar siempre arandelas de goma al pasar los cables a través de los paneles.
- La ubicación de montaje no debe estar expuesta a posibles obstáculos, como pueden ser conductos hidráulicos o de combustible, o cables.
- El subwoofer debe instalarse en una ubicación con suficiente espacio, en función de la profundidad de montaje que se indica en los gráficos de la vista lateral y en las especificaciones.
- Siempre que sea posible, el espacio detrás de cada subwoofer debe estar cerrado.
- Para evitar interferencias con un compás magnético, el subwoofer debe instalarse respetando la distancia de seguridad mínima del compás indicada en las especificaciones del producto.
- Debes elegir una superficie de montaje plana para que el espacio sea lo más hermético posible.
- Para un mejor rendimiento de los graves, el subwoofer debe instalarse en una zona en la que quede suficiente espacio tras él. Si el espacio es demasiado reducido, la calidad de los graves se verá limitada, y si es demasiado amplio, también afectará al rendimiento. Consulta las especificaciones para obtener recomendaciones de volumen óptimo.
- Si un subwoofer no está expuesto a elementos externos, se puede obtener un mejor rendimiento de los graves utilizando una caja reflectora de graves con puerto. En las especificaciones se incluyen los parámetros Thiele/Small para ayudarte con el diseño de la caja y el puerto.
- Si vas a instalar el subwoofer en el exterior de la embarcación, ten en cuenta las siguientes especificaciones.
 - Si el subwoofer se monta correctamente, cuenta con un grado de resistencia al agua IP65 frente a las condiciones marinas en su parte frontal. En caso de que la parte posterior del subwoofer entre en contacto con el agua y resulte dañada, se anulará la garantía.
 - El subwoofer deberá montarse en una ubicación considerablemente superior al nivel del agua, de forma que no se sumerja.
 - Debe instalarse en una zona en la que no resulte dañado por los efectos de muelles, pilotes u otras instalaciones.
 - El subwoofer deberá instalarse en una caja sellada, en particular si está expuesto a la erosión del agua. Una ventana o abertura podría provocar que se acumulara agua en la caja, lo que podría causar daños en el subwoofer.

Instalar el subwoofer

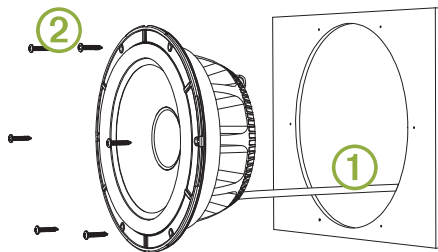
Antes de instalar el subwoofer, debes elegir una ubicación que cumpla las especificaciones de montaje indicadas anteriormente.

Debes comprobar que hay espacio suficiente para el altavoz detrás de la superficie antes de cortar la superficie de montaje. Consulta las especificaciones para obtener información sobre el espacio libre.

AVISO

No apliques grasa ni lubricante a los tornillos al fijar el subwoofer a la superficie de instalación. La grasa u otros lubricantes pueden provocar daños en la carcasa del subwoofer.

- 1 Lleva los cables desde la ubicación de origen hasta la ubicación de montaje, lejos de fuentes de interferencias eléctricas.
- 2 Recorta la plantilla y asegúrate de que encaja en la ubicación en la que deseas montar el sistema.
- 3 Orienta la plantilla de manera que el logotipo de FUSION quede al nivel de la ubicación seleccionada.
- 4 Fija la plantilla en la ubicación seleccionada.
- 5 Con una herramienta giratoria o una sierra de calar, corta la superficie de montaje a lo largo de la parte interior de la línea indicada en la plantilla.
- 6 Coloca el subwoofer en la sección recortada para comprobar si cabe.
- 7 Si es necesario, pule el tamaño de la sección recortada con una lima y papel de lija.
- 8 Tras comprobar que el subwoofer encaja en la sección recortada, asegúrate de que los orificios de montaje de este quedan alineados con los orificios guía de la plantilla.
- 9 Si no quedan alineados, marca nuevas ubicaciones para los orificios.
- 10 Perfora los orificios utilizando un tamaño de broca adecuado para la superficie de montaje y el tipo de tornillo.
- 11 Retira la plantilla de la superficie de montaje.
- 12 Conecta los cables del subwoofer ① teniendo en cuenta la polaridad (*Cables del subwoofer*, página 19).



- 13 Si es necesario, conecta los cables de las luces LED al subwoofer del modelo Deportivo (*Cables de LED*, página 19).
- 14 Coloca el subwoofer en la sección recortada.
- 15 Fija el subwoofer a la superficie de montaje con los tornillos suministrados ②.
NOTA: no aprietes los tornillos en exceso, especialmente si la superficie de montaje no es plana.
- 16 Una vez instalado el subwoofer, sostén la rejilla de forma que el logotipo de FUSION quede en la parte inferior o en la posición de las 6 en punto.
- 17 Presiona la rejilla para que encaje en su sitio.

Cables del subwoofer

Al conectar el subwoofer al amplificador o fuente, ten en cuenta las siguientes consideraciones.

- Los cables de los altavoces no vienen incluidos con el subwoofer. Es recomendable utilizar cables de altavoces 20 AWG (0,52 mm²) para conectar el subwoofer al amplificador o fuente.
- Los cables del subwoofer incorporan conectores de pala macho. Utiliza conectores de pala hembra (no incluidos) para conectarlos con el cable principal y obtener una conexión óptima.
- El subwoofer cuenta con una bobina de voz dual de 2 ohmios que se puede configurar para funcionar en 2.1 (dos altavoces y un subwoofer) cuando está conectado a un sistema estéreo FUSION compatible con DSP (*Configurar el subwoofer para funcionar en 2.1*, página 20).
- La siguiente tabla permite identificar la polaridad de los cables del altavoz.

Blanco	Positivo (+)
Gris con una raya negra	Negativo (-)

NOTA: el cable gris y el cable blanco con una raya negra se conectan a los terminales puente de la parte posterior del subwoofer. Estos cables deben permanecer conectados a los terminales puente durante el uso normal (4 ohmios) y solo se deben desconectar cuando se configura el altavoz para funcionar en 2.1.

Cables de LED

Conectar los cables de LED

Puedes controlar el color de los LED conectando a tierra los cables de color de los LED. Puedes empalmar el cable de conexión a tierra a varios cables de LED para personalizar el color de los LED.

NOTA: esta función solamente está disponible en el modelo deportivo.

NOTA: en lugar de conectar los cables de LED de cada color, puedes instalar un mando a distancia para encender y apagar los LED, cambiarlos de color y crear efectos de iluminación. Consulta a tu distribuidor de FUSION o visita www.fusionentertainment.com para obtener más información.

El hilo negro del cable de LED incorpora un conector hembra de tipo bala de 4 mm y los hilos de color incorporan conectores macho de tipo bala de 4 mm. Puedes conectarlos a conectores tipo bala de 4 mm de los hilos (no incluidos) o, si lo prefieres, quitar los conectores tipo bala para una conexión con cables pelados.

- 1 Conecta un cable positivo al hilo negro del cable de LED.
- 2 Conecta un cable de conexión a tierra al hilo del cable de LED en función del color de LED que prefieras.

Color del LED	Color del cable del LED
Rojo	Rojo
Verde	Verde
Azul	Azul
Amarillo	Rojo y verde
Magenta	Rojo y azul
Cian	Azul y verde
Blanco	Rojo, verde y azul

- 3 Dirige los cables positivo y negativo, y conéctalos a una fuente de alimentación (*Conectar los cables de LED a la alimentación*, página 19).

Conectar los cables de LED a la alimentación

NOTA: esta función solo está disponible en el modelo deportivo.

Debes conectar todos los cables de 12 V de CC de los LED mediante un fusible de 3 A en el extremo de la fuente de alimentación del cable. Debes conectar el cable de alimentación positivo (+) a una fuente de alimentación de 12 V de CC mediante un interruptor de aislamiento o un disyuntor para que los LED se enciendan y se apaguen. Puedes utilizar el mismo interruptor de aislamiento o disyuntor para controlar el suministro de alimentación al sistema estéreo, lo que permitirá que los LED y el sistema estéreo se enciendan y apaguen a la vez.

Es recomendable utilizar un cable 22 AWG (0,33 mm²) o de grosor superior para conectar los LED a la batería.

- 1 Dirige el cable de alimentación positivo (+) y cable de tierra negativo (-) de las conexiones de cables de LED a la batería.
- 2 Conecta el cable negro al terminal negativo (-) de la batería.
- 3 Conecta el cable positivo al terminal positivo (+) mediante un fusible de 3 A y un interruptor de aislamiento o disyuntor.

Optimización del sonido del subwoofer

Para comprobar si el sonido del subwoofer está optimizado durante la instalación del mismo, puedes poner el subwoofer fuera de fase. Para ello, puedes intercambiar los cables positivo y negativo del amplificador o fuente para ponerlos fuera de fase.

El hecho de poner el subwoofer fuera de fase con respecto a los altavoces te permite comprobar si la percepción de los graves es superior desde la ubicación del subwoofer o desde los altavoces. Si al poner el subwoofer fuera de fase se percibe mejor que los graves proceden de los altavoces, el cableado fuera de fase es correcto para tu sistema.

Puedes poner el subwoofer fuera de fase cambiando temporalmente las conexiones positiva y negativa del subwoofer con el amplificador o fuente. En función del resultado de la prueba, puedes volver a cambiar las conexiones si es necesario.

Configurar el subwoofer para funcionar en 2.1

El subwoofer cuenta con bobinas de voz duales de 2 ohmios y está preconfigurado para funcionar en 4 ohmios. Puedes cambiar la configuración del subwoofer para funcionar en 2.1 (dos altavoces y un subwoofer) cuando está conectado a un sistema estéreo FUSION compatible con DSP, como Apollo RA770.

- 1 Desconecta el cable gris y el cable blanco con una raya negra de los terminales puente de la parte posterior del subwoofer.
- 2 Conecta los cables del subwoofer al sistema estéreo según se indica en la siguiente tabla.

Cable del subwoofer	Cable del sistema estéreo
Blanco	Derecho de la zona 2 positivo (+)
Blanco con una raya negra	Derecho de la zona 2 negativo (-)
Gris	Izquierdo de la zona 2 positivo (+)
Gris con una raya negra	Izquierdo de la zona 2 negativo (-)

- 3 Enciende el sistema estéreo conectado.
- 4 Inicia la aplicación FUSION-Link y selecciona la opción 2.1 del sistema estéreo conectado.

El subwoofer funciona en modo 2.1 y el control de volumen se encuentra en la zona 1 del sistema estéreo. El control de volumen y los conectores de salida de línea de la zona 2 están desactivados.

Información adicional

True-MarineProductos

Los productos True-Marine se someten a rigurosas pruebas medioambientales bajo duras condiciones marinas con el fin de cumplir con la normativa del sector para productos náuticos.

Los productos que cuentan con el sello de garantía True-Marine se han diseñado para proporcionar facilidad de uso y combinan tecnologías náuticas avanzadas con el objetivo de ofrecer una experiencia de entretenimiento líder en el sector. Todos los productos True-Marine cuentan con la garantía limitada de 3 años de FUSION para usuarios en cualquier parte del mundo.

Registro de la unidad XS Series

Completa hoy mismo el registro en línea y ayúdanos a ofrecerte un mejor servicio.

- Visita www.fusionentertainment.com.
- Guarda la factura original o una fotocopia en un lugar seguro.

Limpieza del subwoofer

AVISO

No utilices productos de limpieza agresivos o a base de disolventes en el subwoofer. El uso de estos productos podría dañar el producto y anular la garantía.

Si el subwoofer está montado correctamente, cuenta con un grado de resistencia al agua IP65 frente a las duras condiciones marinas en la parte frontal del mismo. El subwoofer no está diseñado para soportar pulverizaciones con agua a alta presión como las que se llevan a cabo durante la limpieza de la embarcación. En caso de que la embarcación no se limpie correctamente mediante pulverización, se podría dañar el producto, con lo que la garantía quedaría anulada.

- 1 Elimina el agua salada y cualquier resto de sal de la rejilla con un paño humedecido en agua dulce.
- 2 Utiliza un detergente suave para eliminar grandes acumulaciones de sal o manchas.

Solución de problemas

Antes de ponerte en contacto con tu distribuidor o centro de servicio de FUSION, te recomendamos que sigas estos sencillos pasos, que pueden ayudarte a identificar y solucionar el problema.

Si la instalación del subwoofer FUSION la ha realizado una empresa de instalación profesional, debes ponerte en contacto con ella para que los técnicos puedan evaluar el problema y aconsejarte sobre las posibles soluciones.

El subwoofer no emite ningún sonido

- Comprueba que todas las conexiones a los terminales se han realizado correctamente.

El sistema no reproduce los graves

- Asegúrate de que el subwoofer está fijado con firmeza a la superficie de montaje.

El audio se distorsiona

- Comprueba que los paneles que rodean al subwoofer en la embarcación no vibran.
- Comprueba que el amplificador está correctamente conectado a los terminales del subwoofer.
- Si el subwoofer está conectado a un amplificador, comprueba que el nivel de entrada del amplificador se corresponde con el nivel de salida del sistema estéreo. Para obtener más información, consulta el manual del amplificador.

Las luces LED no se encienden

- Comprueba que las conexiones de todos los cables se han realizado correctamente y no están sueltas.

Las luces LED parpadean con las notas graves de la música

- Instala un regulador de tensión LED FUSION (SG-VREGLED).

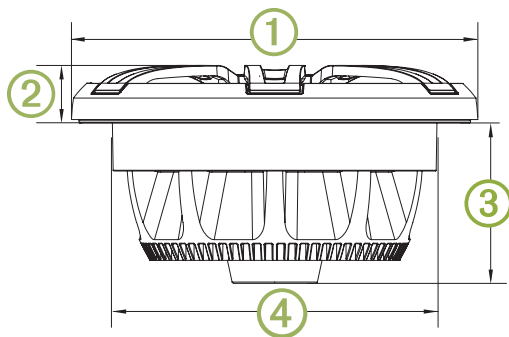
Especificaciones

Potencia pico (vatios)	600 W
Potencia RMS (vatios)	120 W
Eficiencia (1 W/1 m)	87 dB
Respuesta de frecuencia	De 30 Hz a 2000 Hz
Impedancia nominal	4 ohmios
Potencia de amplificador recomendada (RMS)	De 40 a 300 W por canal
Mínima profundidad de montaje (espacio libre)	113 mm (4 7/16 in)
Diámetro de montaje (espacio libre)	223 mm (8 3/4 in)
Recomendación de volumen óptimo de la caja*	40 L
Opciones de color de las luces LED (solo modelo deportivo)	RGB
Voltaje de alimentación de las luces LED (solo en el modelo Deportivo)	De 10,8 a 16 V de CC
Corriente de carga de las luces LED a 14,4 V de CC (solo en el modelo Deportivo)	150 mA
Rango de temperatura de funcionamiento	De 0 °C a 50 °C (de 32 °F a 122 °F)
Rango de temperatura de almacenamiento	De -20 °C a 70 °C (de -4 °F a 158 °F)
Material del cono/marco	Cono de polipropileno, marco de goma
Clasificación de resistencia al agua y al polvo	IEC 60529 IP65 (protección frente a la entrada de agua y polvo)

*Caja sellada, completamente rellena de material absorbente.

NOTA: este altavoz no se ha diseñado para instalarse en una caja con puerto o ventilación, expuesta a elementos externos.

Dimensiones del altavoz



①	274 mm (10 13/16 in.)
②	Rejilla clásica: 32 mm (1 1/4 in) Rejilla deportiva: 37 mm (1 7/16 in)
③	110 mm (4 5/16 in)
④	221 mm (8 11/16 in.)

Se muestra un subwoofer del modelo Deportivo; sin embargo, las dimensiones son las mismas que en el modelo Clásico, a menos que se indique lo contrario.

Distancia de seguridad del compás respecto al subwoofer

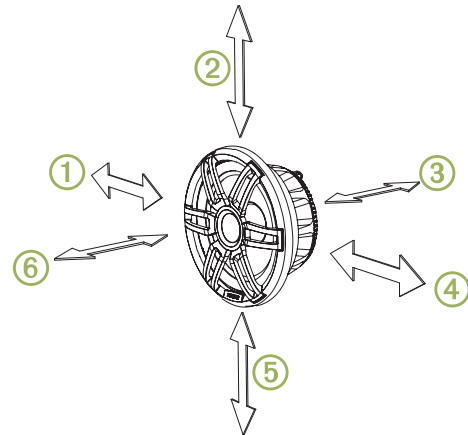
Todos los altavoces y subwoofers contienen imanes que pueden provocar interferencias con los instrumentos de la embarcación. El nivel de interferencia que el subwoofer pueda generar depende del tamaño del imán.

Las interferencias pueden provocar desviaciones y variaciones en la lectura de datos en equipos de navegación sensibles, como compases magnéticos. Si bien estas desviaciones pueden derivar en interpretaciones inexactas o variaciones en la

lectura de datos, el equipo no resultará dañado. Para reducirlas, ajusta el compás en función de la desviación siguiendo las instrucciones del fabricante o bien aleja el subwoofer del equipo de navegación. Tras mover una fuente de interferencias, es posible que tengas que volver a calibrar el compás.

Si navegas únicamente con la ayuda de un compás magnético, presta especial atención en situar el altavoz lo suficientemente lejos del compás para evitar que se generen desviaciones en las lecturas de datos.

Para evitar desviaciones en el equipo de navegación, coloca el subwoofer a la distancia mínima que se indica en la siguiente tabla respecto al equipo de navegación.



Dirección respecto al subwoofer	Subwoofer de 10"
①	280 cm (9 ft 2 in)
②	280 cm (9 ft 2 in)
③	370 cm (12 ft 2 in)
④	280 cm (9 ft 2 in)
⑤	295 cm (9 ft 8 in)
⑥	350 cm (11 ft 6 in)

Parámetros Thiele/Small

Puedes utilizar los parámetros Thiele/Small (T/S) para diseñar una caja personalizada para tu subwoofer.

NOTA: los parámetros Thiele/Small pueden variar entre muestras, en función del entorno y del uso que se le haya dado al altavoz. El objetivo de estos valores es servir de guía para ayudarte con el diseño de la caja.

Factor Q eléctrico (Q _{es})	1,20
Factor Q mecánico (Q _{ms})	5,80
Factor Q total (Q _{ts})	0,99
Frecuencia de resonancia (F _s)	41 Hz
Carga equivalente de aire (V _{as})	40 L

XS Series da série esportiva da marca

Informações importantes sobre segurança

⚠ ATENÇÃO

Caso os avisos e precauções não sejam seguidos, poderão ocorrer lesões corporais, danos ao veículo ou à embarcação ou desempenho inadequado do produto.

Consulte o guia *Informações importantes sobre segurança e sobre o produto* na caixa do produto para obter mais detalhes sobre avisos e outras informações importantes.

Este dispositivo deve ser instalado de acordo com estas instruções.

Antes de instalar o produto, desconecte a fonte de alimentação do veículo ou da embarcação.

⚠ CUIDADO

A exposição contínua a níveis de pressão sonora superior a 100 dBA pode causar perda permanente da audição. Não ouvir às pessoas falando ao seu redor significa que o volume está muito alto. Limite o tempo de exposição caso deseje ouvir algo com um volume mais alto. Caso escute um zumbido ou som abafado, interrompa o uso e procure um especialista.

Sempre use óculos de segurança, protetores auriculares e uma máscara contra pó ao perfurar, cortar ou lixar.

AVISO

Ao fazer perfurações ou cortes, sempre verifique o que está no lado oposto da superfície.

É altamente recomendável que você tenha o seu sistema de áudio instalado por um profissional para garantir um melhor desempenho.

Leia todas as instruções antes de iniciar a instalação. Se tiver dificuldades durante a instalação, acesse www.fusionentertainment.com para obter suporte do produto.

Depois de instalar a caixa do alto-falante, você deve operar a caixa no volume baixo a médio nas primeiras horas de uso. Isso ajuda a melhorar o som geral, liberando gradualmente os componentes móveis da caixa do alto-falante, como o cone e a armação

Conteúdo da caixa

- 1 caixa de alto-falante
- 6 parafusos de montagem Phillips de aço inoxidável de 4,8 mm x 50 mm (10 x 2 pol.)
- Modelo de montagem
- Grades

Ferramentas necessárias

- Furadeira elétrica
- Broca (o tamanho varia de acordo com o material da superfície)
- Chave Phillips
- Alicates para desencapar fios
- Ferramenta de corte
- Fita isolante
- Serra adequada ou estilete utilitário para cortar o material da superfície
- Selante marítimo (opcional)
- Fio de alto-falante com medidor compatível para o comprimento exigido

OBSERVAÇÃO: para instalações personalizadas, podem ser necessárias ferramentas e materiais adicionais.

Considerações sobre montagem

Selecionar o local correto de montagem é fundamental para otimizar o desempenho do sistema de áudio. As caixas dos alto-falantes FUSION são projetadas para serem usadas em diversos locais de montagem, mas quanto mais bem planejada for a instalação, melhor será o som das caixas dos alto-falantes.

- O sistema áudio deve ser desligado antes da realização de qualquer conexão. Caso contrário, pode resultar em danos permanentes ao sistema de áudio.
- Proteja todos os terminais e conexões contra o aterramento e contra um do outro. Caso contrário, pode haver danos permanentes ao sistema de áudio e a garantia do produto pode ser anulada.
- Proteja os fios contra objetos pontiagudos e sempre utilize ilhós de borracha ao passar a fiação através dos painéis.
- Evite potenciais obstáculos no local de montagem, como combustível, linhas hidráulicas e fiação.
- O local de montagem deve fornecer espaço suficiente para a profundidade da instalação da caixa do alto-falante conforme especificado nos desenhos de vista lateral e nas especificações.
- Quando possível, a área atrás de cada caixa do alto-falante deve ser fechada.
- Para evitar interferência de uma bússola magnética, as caixas dos alto-falantes não devem ser instaladas perto de uma bússola e respeitar o valor de distância de segurança relacionado nas especificações do produto.
- Selecione uma superfície de montagem plana para uma melhor vedação.
- Para um melhor desempenho de graves, cada alto-falante deve ser montado em uma área que oferece espaço suficiente atrás da caixa do alto-falante. Uma área muito pequena restringe os graves, e uma área muito grande compromete o desempenho dos graves. Veja as recomendações ideais de volume nas especificações.
- Quando uma caixa do alto-falante não estiver exposta ao ambiente externo, um melhor desempenho de graves pode ser alcançado usando um compartimento que tenha um design com portas. As especificações apresentam os parâmetros Thiele/Small para ajudar no design do compartimento e das portas.
- Se você pretende instalar a caixa do alto-falante fora da embarcação, siga estas considerações.
 - Quando montada corretamente, a caixa do alto-falante é classificada como IP65 para a proteção na parte frontal em ambiente marítimo. Exposição à água e danos na parte traseira da caixa do alto-falante anulará a garantia.
 - A caixa do alto-falante deve ser montada em um local bem acima da linha de flutuação, onde ele não está submersa.
 - As caixas dos alto-falantes devem ser montadas em um local onde não serão danificadas por docas, estacas ou outras peças de equipamento.
 - A caixa do alto-falante deve ser montada em uma estrutura vedada, especialmente se for exposta à água. Uma porta ou ventilação pode permitir que a água se acumule no compartimento e danifique a caixa do alto-falante.

Montagem da caixa do alto-falante

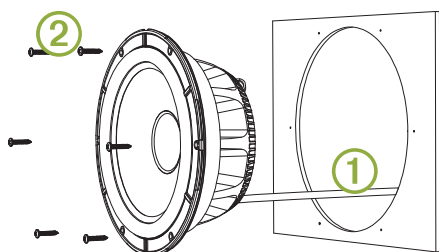
Antes de instalar as caixas dos alto-falantes, escolha o local conforme as considerações de montagem acima.

Antes de cortar a superfície de montagem, verifique se há espaço suficiente para a caixa acústica atrás da superfície. Consulte as especificações para obter mais informações sobre as folgas.

AVISO

Não aplique graxa ou lubrificante nos parafusos ao ajustar a caixa do alto-falante na superfície de montagem. Graxa ou outros lubrificantes podem causar danos à caixa do alto-falante.

- 1 Passe os fios da fonte para o local de montagem, longe de fontes de interferência elétrica.
- 2 Ajuste o modelo e certifique-se de estar de acordo com o local selecionado.
- 3 Direcione o modelo para que o logotipo FUSION fique nivelado no local escolhido.
- 4 Prenda o modelo ao local selecionado.
- 5 Com uma ferramenta giratória ou serra, corte a superfície de montagem ao longo da parte interna da linha indicada no modelo.
- 6 Coloque a caixa do alto-falante no corte para testar o ajuste.
- 7 Se necessário, use uma lixa para refinar o tamanho do corte.
- 8 Quando o alto-falante couber corretamente na abertura, certifique-se de que os orifícios de montagem da caixa do alto-falante estejam alinhados com os orifícios do piloto no modelo.
- 9 Se os furos de montagem nas caixas dos alto-falantes não se alinharem, marque os locais dos novos furos.
- 10 Com uma broca de tamanho apropriado para a superfície de montagem e tipo de parafuso, faça os furos.
- 11 Remova o modelo da superfície de montagem.
- 12 Conecte os fios da caixas dos alto-falantes ① observando a polaridade (*Fiação da caixa do alto-falante*, página 23).



13 Se necessário, conecte a fiação do LED à caixa do alto-falante do modelo esportivo (*Fiação de LED*, página 23).

14 Coloque a caixa do alto-falante no corte.

15 Fixe a caixa do alto-falante na superfície de montagem usando os parafusos incluídos ②.

OBSERVAÇÃO: não aperte os parafusos, especialmente se a superfície de montagem não for plana.

16 Com a caixa do alto-falante montada, segure a grade com o logotipo FUSION na parte inferior, ou na posição 6 horas.

17 Pressione a grade para encaixá-la no lugar.

Fiação da caixa do alto-falante

Ao conectar a caixa do alto-falante ao amplificador ou fonte, observe as seguintes considerações.

- O fio da caixa acústica não está incluído com a caixa do alto-falante. Use um fio da caixa acústica de 20 AWG (0,52 mm²) para conectar a caixa do alto-falante ao amplificador ou fonte.
- Os conectores da caixa do alto-falante têm terminações com conectores espada macho. Você deve usar conectores espada fêmea (não incluídos) para conectar o fio do alto-falante aos conectores do alto-falante, para ter a melhor conexão.
- A caixa do alto-falante conta com uma bobina de voz dupla de 2 Ohm que pode ser configurada para operação a 2.1 (duas caixas acústicas e uma caixa do alto-falante) quando

conectada a um sistema estéreo FUSION compatível com DSP (*Configurar a caixa do alto-falante para operação a 2.1*, página 24).

- Você pode usar esta tabela para identificar a polaridade dos fios do alto-falante.

Branco	Positivo (+)
Cinza com uma faixa preta	Negativo (-)

OBSERVAÇÃO: os fios cinza e branco com uma faixa preta estão conectados aos terminais de ligação na parte traseira da caixa do alto-falante. Esses fios devem permanecer conectados aos terminais de ligação para uso normal (4 Ohm) e devem ser desconectados somente ao configurar a caixa acústica para operação a 2.1.

Fiação de LED

Conectando os fios de LED

Você pode controlar a cor dos LEDs, conectando os fios coloridos do LED ao aterramento. Junte o fio de aterramento a vários fios do LED para personalizar a cor do LED.

OBSERVAÇÃO: esse recurso está disponível apenas para o modelo esportivo.

OBSERVAÇÃO: em vez de conectar os fios de LED para uma cor dedicada, você pode instalar um controle remoto para ativar e desativar os LEDs, mudar a cor e criar efeitos de iluminação. Consulte seu revendedor FUSION ou acesse www.fusionentertainment.com para obter mais informações.

O fio preto no cabo de LED é terminado com um conector do mancal fêmea de 4 mm, e os fios coloridos são terminados com conectores do mancal macho de 4 mm. Você pode conectá-los a conectores do mancal de 4 mm em seus fios (não incluídos), ou remover os conectores do mancal para conectar os fios desencapados em vez disso.

- 1 Conecte um fio positivo ao fio preto no cabo de LED.
- 2 Conecte um fio terra ao fio do cabo de LED de acordo com a cor preferida do LED.

Cor do LED	Cor do fio do LED
Vermelho	Vermelho
Verde	Verde
Azul	Azul
Amarelo	Vermelho e verde
Magenta	Vermelho e azul
Ciano	Azul e verde
Branco	Vermelho, verde e azul

- 3 Direcione os fios positivo e negativo e conecte-os a uma fonte de alimentação (*Conectar os fios de LED à energia*, página 23).

Conectar os fios de LED à energia

OBSERVAÇÃO: esse recurso está disponível apenas no modelo esportivo.

Conecte toda a fiação de 12 VCC dos LEDs a um fusível de 3 A na extremidade do cabo da fonte de energia. Conecte o fio de alimentação positivo (+) a uma fonte de energia de 12 VCC por meio de um interruptor isolador ou um disjuntor para ligar e desligar os LEDs. Você pode usar o mesmo isolador ou disjuntor que controla o fornecimento de energia do seu aparelho de som, o que lhe permite ligar e desligar os LEDs e o aparelho de som ao mesmo tempo.

Use um fio de 22 AWG (0,33 mm²) ou mais espesso para conectar os LEDs à bateria.

- 1 Direcione os fios de energia positiva (+) e os fios terra negativos (-) das conexões do LED à bateria.
- 2 Conecte o fio negativo ao terminal negativo (-) da bateria.
- 3 Conecte o fio positivo ao terminal positivo (+) através de um fusível de 3 A e um interruptor isolador ou disjuntor.

Otimização do som da caixa do alto-falante

Durante a instalação da caixa do alto-falante, você pode garantir sua otimização de som ao executar a caixa do alto-falante fora de fase. Você pode alternar os fios positivo e negativo no amplificador ou na fonte para executá-los fora de fase.

Executar a caixa do alto-falante fora de fase das caixas acústicas permite que você identifique se a percepção dos graves vem mais da localização da caixa do alto-falante ou das caixas acústicas. Se executar a caixa do alto-falante fora de fase der uma melhor percepção de que os graves vêm da localização das caixas acústicas, então a fiação fora de fase está correta para o seu sistema.

Para executar a caixa do alto-falante fora da fase, alterne temporariamente as conexões positiva e negativa da caixa do alto-falante no amplificador ou na fonte. Dependendo do resultado do teste, você poderá reverter as conexões, se necessário.

Configurar a caixa do alto-falante para operação a 2.1

A caixa do alto-falante conta com uma bobina de voz dupla de 2 Ohm e está pré-configurada para operação a 4 Ohm. Você pode alterar a configuração da caixa do alto-falante para operação a 2.1 (duas caixas acústicas e uma caixa do alto-falante) quando conectada a um sistema estéreo FUSION compatível com DSP, tal como um Apollo RA770.

- 1 Desconecte o fio cinza e o fio branco com uma faixa preta dos terminais de ligação na parte traseira da caixa do alto-falante.
- 2 Conecte os fios da caixa do alto-falante ao sistema estéreo usando a tabela abaixo como referência.

Fio da caixa do alto-falante	Fio do sistema estéreo
Branco	Zona 2 à direita positiva (+)
Branco com uma faixa preta	Zona 2 à direita negativa (-)
Cinza	Zona 2 à esquerda positiva (+)
Cinza com uma faixa preta	Zona 2 à esquerda negativa (-)

- 3 Ligue o sistema estéreo conectado.
- 4 Abra o aplicativo FUSION-Link e selecione a opção 2.1 para o sistema estéreo conectado.

A caixa do alto-falante opera no modo 2.1 com o controle de volume vinculado à zona 1 no sistema estéreo. O controle de volume da zona 2 e os conectores de saída de linha da zona 2 estão desativados.

Informações adicionais

True-MarineProdutos

Os produtos True-Marine são submetidos a testes ambientais rigorosos em condições marítimas adversas para superar as diretrizes do setor de produtos marinhos.

Qualquer produto que contém o selo de garantia True-Marine foi projetado para uma utilização simplificada e combina tecnologias marinhas avançadas para proporcionar uma experiência de entretenimento líder no setor. Todos os produtos True-Marine são suportados pela garantia limitada de 3 anos da FUSION para clientes do mundo inteiro.

Registro de seu XS Series

Ajude-nos a atendê-lo melhor completando ainda hoje nosso registro online.

- Acesse www.fusionentertainment.com.
- Mantenha o recibo de venda original ou uma cópia em um local seguro.

Limpeza da caixa do alto-falante

AVISO

Não use produtos de limpeza abrasivos ou à base de solventes nas caixas dos alto-falantes. A utilização desses produtos podem danificar o produto e anular a garantia.

Quando montadas corretamente, essas caixas dos alto-falantes são classificadas como IP65 a partir da parte frontal para a proteção no implacável ambiente marinho. As caixas dos alto-falantes não são projetadas para suportar jatos de água de alta pressão, que podem ocorrer ao lavar a sua embarcação. A falta de cuidado ao lavar a embarcação com jato de água pode danificar o produto e anular a garantia.

- 1 Limpe toda a água salgada e os resíduos da grade com um pano úmido.
- 2 Utilize um detergente suave para remover um acúmulo pesado de sal ou manchas.

Solução de problemas

Antes de entrar em contato com o seu revendedor ou centro de serviços da FUSION, execute alguns passos de solução de problemas simples para ajudar a diagnosticar o problema.

Se a caixa do alto-falante FUSION tiver sido instalada por uma empresa de instalação profissional, entre em contato com a empresa para que os técnicos possam avaliar o problema e aconselhá-lo sobre as possíveis soluções.

Não há nenhum som saindo das caixas dos alto-falantes

- Verifique se todas as conexões estão ligadas corretamente aos locais adequados.

O sistema não tem graves

- Verifique se as caixas dos alto-falantes estão presas firmemente à superfície de montagem.

O áudio está distorcido

- Verifique se os painéis ao redor da caixa do alto-falante da embarcação não estão chacoalhando.
- Verifique se o amplificador está ligado corretamente aos terminais da caixa do alto-falante.
- Se a caixa do alto-falante estiver conectada a um amplificador, verifique se o nível de entrada do amplificador corresponde ao nível de saída do som.
Para obter mais informações, consulte o manual do amplificador.

As luzes do LED não ascendem

- Verifique se todas as fiações estão corretas e presas.

Os LEDs pulsam com as notas graves da música

- Instale um regulador de tensão para LED FUSION (SG-VREGLED).

Especificações

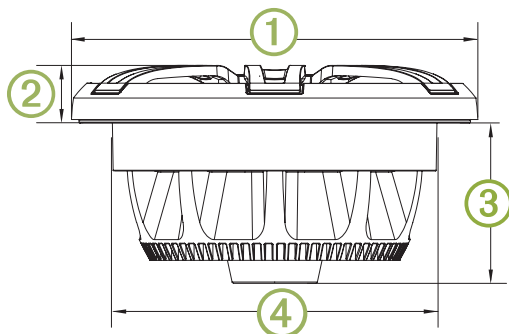
Potência de pico (Watts)	600 W
RMS (Watts) de potência	120 W
Eficiência (1 W/1 m)	87 dB
Resposta de frequência	De 30 Hz a 2.000 Hz
Impedância nominal	4 ohms
Tensão recomendada do amplificador (RMS)	40 a 300 W por canal
Profundidade mínima para montagem (folga)	113 mm (4 7/16 pol.)
Diâmetro para montagem (folga)	223 mm (8 3/4 pol.)
Recomendação de volume do compartimento ideal*	40 l

Opções de cor do LED (somente o modelo esportivo)	RGB
Tensão de alimentação do LED (apenas para o modelo esportivo)	De 10,8 a 16 VCC
Carga do LED atualmente em 14,4 Vdc (apenas para o modelo esportivo)	150 mA
Intervalo de temperatura de funcionamento	De 0 a 50 °C (de 32 a 122 °F)
Intervalo de temperatura de armazenamento	De -20 a 70 °C (de -4 a 158 °F)
Material do cone/surround	Cone de polipropileno, surround de borracha
Classificação de água e poeira	IEC 60529 IP65 (Protegido contra a entrada de poeira e água)

*Compartimento vedado, totalmente preenchido com material de absorção.

OBSERVAÇÃO: esse alto-falante não deve ser instalado em um compartimento ventilado ou com porta quando for exposto ao ambiente externo.

Dimensões do alto-falante



①	274 mm ($10^{13}/_{16}$ pol.)
②	Grade clássica: 32 mm ($1^{1}/_{4}$ pol.) Grade esportiva: 37 mm ($1^{7}/_{16}$ pol.)
③	110 mm ($4^{5}/_{16}$ pol.)
④	221 mm ($8^{11}/_{16}$ pol.)

Uma caixa do alto-falante do modelo esportivo é exibida, mas as dimensões são as mesmas do modelo clássico, exceto onde indicado.

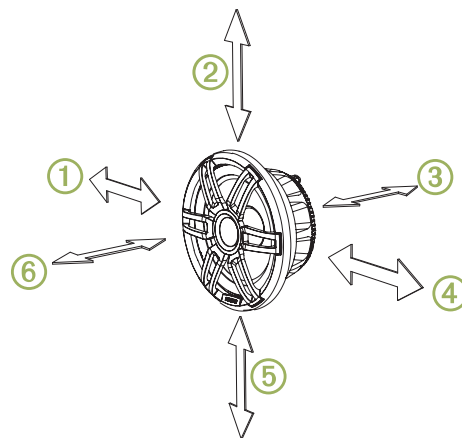
Distância segura entre a caixa do alto falante e a bússola

Todas as caixas acústicas e alto-falantes contêm ímãs que podem causar interferência nos instrumentos na sua embarcação. O tamanho do ímã usado na caixa do alto-falante afeta o nível de interferência que ele pode causar.

A interferência pode causar desvios e variações em relação à leitura de equipamento de navegação sensível, tal como bússolas magnéticas. Os desvios podem causar imprecisões ou deslocamento nas leituras, sem causar danos ao equipamento. Para diminuir os desvios, ajuste a bússola seguindo as instruções do fabricante ou distancie ao máximo possível a caixa do alto-falante do equipamento de navegação. Após distanciar a fonte da interferência, pode ser necessário recalibrar a bússola.

Se estiver navegando somente com a ajuda de uma bússola magnética, posicione o alto-falante com distância suficiente da bússola para evitar desvios na leitura.

Para evitar desvios do equipamento de navegação, posicione as caixas dos alto-falantes para que estejam separadas a uma distância mínima do equipamento de navegação de acordo com a tabela abaixo.



Direção da caixa do alto falante	Caixa do alto-falante de 10"
①	280 cm (2 pés 9 pol.)
②	280 cm (2 pés 9 pol.)
③	370 cm (12 pés 2 pol.)
④	280 cm (2 pés 9 pol.)
⑤	295 cm (9 pés 8 pol.)
⑥	350 cm (11 pés. 6 pol.)

Parâmetros Thiele/Small

Use os parâmetros Thiele/Small (T/S) ao projetar compartimentos personalizados para sua caixa do alto-falante.

OBSERVAÇÃO: esses parâmetros podem variar entre as amostras, de acordo com o ambiente e em quanto o alto-falante já foi usado. Esses valores destinam-se a serem usados como um guia para ajudar no projeto do compartimento.

Fator Q elétrico (Q_{es})	1,20
Fator Q mecânico (Q_{ms})	5,80
Fator Q total (Q_{ts})	0,99
Frequência de ressonância (F_s)	41 Hz
Carga de ar equivalente (V_{as})	40 l

XS Series subwooferinstallatie-instructies

Belangrijke veiligheidsinformatie

⚠ WAARSCHUWING

Geen gevolg geven aan deze waarschuwingen en aanbevelingen kan resulteren in persoonlijk letsel, schade aan het voertuig of vaartuig of slecht functioneren van het product.

Lees de gids *Belangrijke veiligheids- en productinformatie* in de verpakking voor productwaarschuwingen en andere belangrijke informatie.

Dit toestel moet worden geïnstalleerd volgens deze instructies.

Ontkoppel de stroomvoorziening van het voertuig of vaartuig, voordat u dit product gaat installeren.

⚠ VOORZICHTIG

Continue blootstelling aan geluidsdruk niveaus van meer dan 100 dBA kan permanente gehoorbeschadiging veroorzaken. Het volume is doorgaans te hoog als u de mensen om u heen niet hoort praten. Beperk de tijd dat u luistert met een hoog volume tot een minimum. Als uw oren suizen of als u spraak alleen gedempt hoort, gebruik het toestel dan niet meer en laat uw gehoor controleren.

Draag altijd een veiligheidsbril, oorbeschermers en een stofmasker tijdens het boren, zagen en schuren.

LET OP

Controleer voordat u gaat boren of zagen wat zich aan de andere kant van het oppervlak bevindt.

Voor optimale prestaties wordt aanbevolen om uw audiosysteem te laten installeren door een professionele installateur.

Lees alle installatie-instructies alvorens de installatie uit te voeren. Als u problemen ondervindt tijdens het installeren, kunt u voor ondersteuning terecht op www.fusionentertainment.com.

Na installatie dient u de subwoofer de eerste paar uur bij laag tot gemiddeld volume te gebruiken. De bewegende onderdelen van de subwoofer, zoals conus, spider en surround, kunnen dan geleidelijk warm draaien, wat de algehele geluidskwaliteit ten goede komt

Inhoud van de verpakking

- 1 subwoofer
- 6 roestvrijstalen kruiskopmontageschroeven van 4,8 mm x 50 mm (10 gauge x 2 in.)
- Montagesjabloon
- Grilles

Benodigd gereedschap

- Elektrische boor
- Boortje (maat afhankelijk van materiaal van ondergrond)
- Kruiskopschroevendraaier
- Draadstriptang
- Krimptang
- Isolatietape
- Geschikte zaag of een hobbyzagen om oppervlaktemateriaal af te zagen of te snijden
- Watervaste kit (optioneel)
- Luidsprekerdraad met de juiste diameter bij de vereiste lengte

OPMERKING: Voor aangepaste installaties zijn mogelijk extra gereedschappen en materialen benodigd.

Aandachtspunten bij de montage

De juiste montageplek kiezen is van essentieel belang voor optimale prestaties van het audiosysteem. Deze FUSION subwoofer is ontworpen om op alle mogelijke montageplaatsen goed te presteren, maar hoe beter u de installatie plant, hoe beter de geluidskwaliteit van de subwoofer.

- Schakel het audiosysteem uit voordat u kabels aansluit. Als dit niet gebeurt, kan dit permanente beschadiging van het audiosysteem tot gevolg hebben.
- Zorg dat alle aansluitpunten en aansluitingen niet in contact kunnen komen met de aarding of andere aansluitingen. Door dergelijke kortsluitingen kan het audiosysteem permanent worden beschadigd en kan de productgarantie komen te vervallen.
- Bescherm de kabels tegen scherpe voorwerpen en gebruik altijd rubber ringen voor het geleiden van kabels door panelen.
- Zorg dat de montageplaats vrij is van mogelijke obstakels, zoals brandstofleidingen en hydraulische leidingen en bekabeling.
- De montageplaats moet voldoende vrije ruimte bieden voor de montagediepte van de subwoofer, zoals aangegeven in de tekeningen van het zijaanzicht en de productspecificaties.
- De ruimte achter elke subwoofer moet zo mogelijk een gesloten ruimte zijn.
- Teneinde interferentie met een magnetisch kompas te voorkomen, mag de subwoofer niet dichterbij een kompas worden geïnstalleerd dan de kompasveilige afstand die is vermeld in de productspecificaties.
- Kies voor optimale afdichting een vlak montageoppervlak.
- Om de bastonen te optimaliseren moet de subwoofer op een plaats worden geïnstalleerd die achter de subwoofer precies voldoende ruimte biedt. Een te kleine ruimte beperkt de bastonen en een te grote ruimte tast de kwaliteit van de bastonen aan. Raadpleeg de specificaties voor optimale volume-aanbevelingen.
- Wanneer een subwoofer niet aan de buitenomgeving wordt blootgesteld, kan een betere basprestaties worden bereikt via een behuizing met een poort. De specificaties bevatten Thiele-Small-parameters voor het design van behuizing en poort.
- Als u de subwoofer buiten de boot wilt installeren, dient u het volgende in aanmerking te nemen.
 - Indien correct geïnstalleerd, biedt de subwoofer vanaf de voorkant IP65-klasse bescherming voor de omstandigheden op het water. Als de achterkant van de subwoofer wordt blootgesteld aan water of beschadigd raakt, vervalt de garantie.
 - De subwoofer moet worden gemonteerd op een locatie hoog boven de waterlijn, zodat de subwoofer niet onder water raakt.
 - De subwoofer moet op een plaats worden geïnstalleerd waar het toestel niet kan worden beschadigd door dokken, palen en andere apparatuur.
 - De subwoofer moet in een afgesloten behuizing worden geplaatst die bescherming biedt tegen eventueel spoelwater. Door een poort of ventilatiegat kan water in de behuizing binnendringen en de subwoofer beschadigen.

De subwoofer installeren

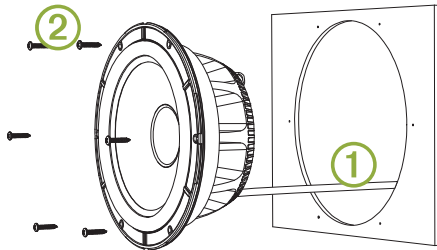
Kies aan de hand van de voorgaande richtlijnen eerst een geschikte locatie voordat u de subwoofer installeert.

Voordat u het montageoppervlak gaat uitzagen, dient u te controleren of er achter het montageoppervlak genoeg ruimte is voor de luidspreker. Raadpleeg de specificaties voor informatie over de vrije ruimte.

LET OP

Breng geen vet of smeermiddel op de schroeven aan als u de subwoofer aan het montageoppervlak bevestigt. Vet of smeermiddel kan schade aan de behuizing van de subwoofer veroorzaken.

- 1 Leid de draden van de bron naar de montageplaats, uit de buurt van bronnen die elektronische interferentie kunnen veroorzaken.
- 2 Snijd de montagesjabloon uit en controleer of deze past op de gekozen locatie.
- 3 Plaats de sjabloon zodanig dat het FUSION logo op de geselecteerde locatie waterpas staat.
- 4 Bevestig de sjabloon op de gekozen locatie.
- 5 Zaag met een slijptol of decoupeerzaag het montageoppervlak uit langs de binnenkant van de streepjeslijn op de sjabloon.
- 6 Plaats de subwoofer in de opening om te testen of dit past.
- 7 Gebruik indien nodig een vijl en schuurpapier om de opening heel precies op maat te krijgen.
- 8 Als de subwoofer goed in de opening past, dient u te controleren of de montagegaten op de subwoofer zijn uitgelijnd met de voorboorgaten op de sjabloon.
- 9 Markeer de locaties van de nieuwe gaten als deze niet zijn uitgelijnd met de montagegaten op de subwoofer.
- 10 Kies een maat boortje dat geschikt is voor het montageoppervlak en type schroef en boor de gaten.
- 11 Verwijder de sjabloon van het montageoppervlak.
- 12 Sluit de subwooferdraden aan ① en let op de polariteit (*Subwoofer-bekabeling, pagina 27*).



- 13 Sluit zo nodig de LED-draden aan op de Sportmodel subwoofer (*LED-bedrading, pagina 27*).
- 14 Plaats de subwoofer in de opening.
- 15 Bevestig de subwoofer op het montageoppervlak met de meegeleverde schroeven ②.
OPMERKING: Draai de schroeven niet te strak aan, vooral niet als het montageoppervlak niet vlak is.
- 16 Pak als de subwoofer is gemonteerd de grille vast met het FUSION logo aan de onderkant of in de 6-uurstand.
- 17 Druk op de grille om deze vast te klikken.

Subwoofer-bekabeling

Let op de volgende punten wanneer u de subwoofer aansluit op uw versterker of bron.

- Luidsprekerkabel wordt niet meegeleverd bij de subwoofer. U dient luidsprekerkabel met een dikte van minimaal 20 AWG (0,52 mm²) te gebruiken om de subwoofer te verbinden met de stereo-installatie.
- De aansluitdraden van de subwoofer zijn voorzien van mannelijke spade-connectoren. Gebruik vrouwelijke spade-connectoren (niet meegeleverd) om de luidsprekerkabel aan te sluiten op de luidsprekerdraden voor de beste verbinding.
- De subwoofer beschikt over dubbele 2 Ohm spreekspoelen die kunnen worden geconfigureerd voor 2.1-gebruik (twee

luidsprekers en een subwoofer) wanneer aangesloten op een FUSION stereo met DSP-functionaliteit (*De subwoofer configureren voor 2.1-gebruik, pagina 28*).

- U kunt de volgende tabel gebruiken om de polariteit van de aansluitpunten op de luidspreker te bepalen.

Wit	Positief (+)
Grijs met zwarte streep	Negatief (-)

OPMERKING: Grijswitte draden met een zwarte streep worden aangesloten op jumperaan sluitingen op de achterzijde van de subwoofer. Deze draden moeten op de jumperaan sluitingen aangesloten blijven voor normaal gebruik (4 Ohm) en moeten alleen worden losgemaakt bij het configureren van de luidspreker voor 2.1-gebruik.

LED-bedrading

De LED-draden aansluiten

U kunt de kleur van de LED's regelen door de LED-draden op de aarde aan te sluiten. U kunt de aardedraad met meerdere LED-draden verbinden om de LED-kleur aan te passen.

OPMERKING: Deze functie is alleen beschikbaar op het Sportmodel.

OPMERKING: In plaats van de LED-draden te sluiten voor één vaste kleur, kunt u een afstandsbediening installeren om de LED's in en uit te schakelen, de kleur te wijzigen en lichteffecten te creëren. Bezoek uw plaatselijke FUSION dealer of ga naar www.fusionentertainment.com voor meer informatie.

De zwarte draad van de LED-kabel is afgesloten met een vrouwelijke kogelconnector van 4 mm en de kleurdraden zijn afgesloten met mannelijke kogelconnectoren van 4 mm. U kunt deze aansluiten op kogelconnectoren van 4 mm op uw draden (niet inbegrepen) of de kogelconnectoren verwijderen om de draden met de kale bedrading te verbinden.

- 1 Sluit de positieve draad aan op de zwarte draad in de LED-kabel.
- 2 Sluit een aardedraad aan op de draad in de LED-kabel die overeenkomt met de gekozen LED-kleur.

LED-kleur	LED-draadkleur
Rood	Rood
Groen	Groen
Blauw	Blauw
Geel	Rood en groen
Paars	Rood en blauw
Cyaan	Blauw en groen
Wit	Rood, groen en blauw

- 3 Leid de positieve en de negatieve draden en sluit deze aan op een voedingsbron (*De LED-draden aansluiten op de voeding, pagina 27*).

De LED-draden aansluiten op de voeding

OPMERKING: Deze functie is alleen beschikbaar op het Sportmodel.

U dient alle 12 V gelijkstroomkabels naar de LED's te verbinden met een zekering van 3 ampère aan het kabeluiteinde met de voedingsbron. De positieve (+) voedingsdraad moet worden aangesloten op een 12 V gelijkstroomvoedingsbron via een isolatieschakelaar of stroomverbreker om de LED's in en uit te schakelen. U kunt dezelfde isolatieschakelaar of zekering gebruiken die de stroomvoorziening naar uw stereo regelt, zodat u de LED's en de stereo tegelijk in en uit kunt schakelen.

U dient verlengdraden met een dikte van minimaal 22 AWG (0,33 mm²) te gebruiken om de LED's met de batterij te verbinden.

- 1 Leid de positieve (+) voedingsdraad en de negatieve (-) aardedraad van de LED-draadaansluitingen naar de batterij.

- Sluit de negatieve draad aan op de negatieve pool (-) van de batterij.
- Sluit de positieve draad aan op de positieve (+) pool via een zekering van 3 ampère en een isolatieschakelaar of stroomverbreker.

Optimalisatie van subwoofergeluid

U kunt het geluid van de subwoofer tijdens de installatie optimaliseren door de subwoofer 'uit fase' te testen. U kunt dit doen door de positieve en negatieve draden van de versterker of bron te verwisselen.

Als u de subwoofer 'uit fase' test, kunt u vaststellen of de bastonen meer uit de richting van de subwoofer of de luidsprekers lijken te komen. Als bij het 'uit fase' testen van de subwoofer de bastonen uit de richting van de luidsprekers lijken te komen, is deze manier van 'uit fase' aansluiten correct voor uw systeem.

U kunt de subwoofer 'uit fase' gebruiken door de positieve en negatieve aansluitingen vanaf de subwoofer tijdelijk te verwisselen op de versterker of de bron. Afhankelijk van het resultaat van de test, kunt u de aansluitingen zo nodig terug wisselen.

De subwoofer configureren voor 2.1-gebruik

De subwoofer beschikt over dubbele 2 Ohm spreekspoelen en is vooraf geconfigureerd voor 4 Ohm-gebruik. U kunt de configuratie van de subwoofer voor 2.1-gebruik (twee luidsprekers en een subwoofer) wijzigen wanneer deze is aangesloten op een FUSION stereo met DSP-functie, zoals een Apollo RA770.

- Koppel de grijze draad en de witte draad met zwarte streep los van de jumperaansluitingen op de achterzijde van de subwoofer.
- Sluit de draden van de subwoofer aan op de stereo met behulp van de volgende tabel als referentie.

Subwoofer-draad	Stereo-draad
Wit	Zone 2 rechts plus (+)
Wit met zwarte streep	Zone 2 rechts min (-)
Grijs	Zone 2 links plus (+)
Grijs met zwarte streep	Zone 2 links min (-)

- Schakel de aangesloten stereo in.
- Start de FUSION-Link app en selecteer de optie 2.1 voor de aangesloten stereo.

De subwoofer werkt in 2.1-modus, waarbij de volumeregeling is gekoppeld aan zone 1 op de stereo. De volumeregelaar van zone 2 en de line out-aansluitingen van zone 2 zijn uitgeschakeld.

Aanvullende informatie

True-Marine producten

True-Marine producten worden onder zware omstandigheden op het water uitvoerig getest op milieuvriendelijkheid om de milieurechtlijnen voor watersportproducten te overtreffen.

Elk product dat het True-Marine kwaliteitskeurmerk draagt is gebaseerd op geavanceerde nautische technologieën en ontworpen om gebruikers optimaal gebruiksgemak en een in de industrie onovertroffen gebruikservaring te bieden. Op alle True-Marine producten is de beperkte, wereldwijde FUSION garantie van 3 jaar voor consumenten van toepassing.

Uw XS Series registreren

Vul de onlineregistratie vandaag nog in zodat wij u beter kunnen helpen.

- Ga naar www.fusionentertainment.com.
- Bewaar uw originele aankoopbewijs of een fotokopie op een veilige plek.

De subwoofer reinigen

LET OP

Gebruik op de subwoofer geen harde reinigings- of oplosmiddelen. Door gebruik van dergelijke reinigingsmiddelen kan het product beschadigd worden en kan de garantie vervallen.

Indien correct geïnstalleerd, biedt deze subwoofer vanaf de voorkant IP65-klasse bescherming voor de zware omstandigheden op het water. De subwoofer is niet bestand tegen reinigen met een hogedrukspuit, bijvoorbeeld wanneer u uw schip schoon spuit. Schoonspuiten van het schip moet voorzichtig gebeuren om te voorkomen dat het product beschadigd wordt en de garantie vervalt.

- Verwijder al het zoute water en alle zoutaanslag van de grill met een in schoon water gedrenkte, vochtige doek.
- Gebruik een zacht schoonmaakmiddel om zware aanslag van zout of vlekken te verwijderen.

Problemen oplossen

Probeer als zich een probleem voordoet eerst de oorzaak vast te stellen aan de hand van een paar eenvoudige stappen, voordat u contact opneemt met uw FUSION dealer of servicekantoor.

Als de FUSION subwoofer door een professioneel installatiebedrijf is geïnstalleerd, dient u contact op te nemen met dat bedrijf, zodat de onderhoudstechnici kunnen bepalen wat de aard van het probleem is en u kunnen adviseren over mogelijke oplossingen.

Er komt geen geluid uit de subwoofer

- Controleer of alle kabels goed zijn aangesloten op de juiste aansluitpunten.

Het systeem geeft geen lage tonen weer

- Controleer of de subwoofer stevig is bevestigd op het montageoppervlak.

De geluidswaergeving is vervormd

- Controleer of de panelen rondom de subwoofer op de boot niet rammelen.
- Controleer of de versterker goed is aangesloten op de aansluitingspunten van de subwoofer.
- Controleer, als de subwoofer is aangesloten op een versterker, of het ingangsniveau van de versterker overeenkomt met het uitgangsniveau van de stereo. Raadpleeg de gebruikershandleiding bij de versterker voor meer informatie.

De LED-lampjes branden niet

- Controleer of alle kabels correct zijn aangesloten en stevig zijn bevestigd.

De LED-lampjes knippen op lage tonen in de muziek

- Installeer een FUSION LED-spanningsregelaar (SG-VREGLED).

Specificaties

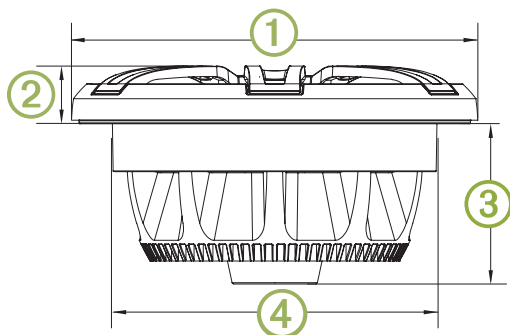
Piekvermogen (Watt)	600 W
RMS vermogen (Watt)	120 W
Efficiëntie (1 W/1 m)	87 dB
Frequentiewaergeving	Van 30 Hz tot 2000 Hz
Nominale impedantie	4 Ohm
Aanbevolen versterkervermogen (RMS)	Van 40 tot 300 W per kanaal
Min. montagediepte (vrije ruimte)	113 mm (4 7/16 in.)
Montagediameter (vrije ruimte)	223 mm (8 3/4 in.)

Aanbevelingen optimaal behuizings-volume*	40 L
LED-kleuropties (alleen Sportmodel)	RGB
LED-voedingsspanning (alleen Sportmodel)	Van 10,8 tot 16 V gelijkstroom
LED-belastingsstroom bij 14,4 V gelijkstroom (alleen Sportmodel)	150 mA
Bedrijfstemperatuurbereik	Van 0 tot 50°C (van 32 tot 122°F)
Bereik opslagtemperatuur	Van -20 tot 70°C (van -4 tot 158°F)
Conus/surround-materiaal	Polypropyleen conus, rubberen surround
Water- en stofbestendigheid	IEC 60529 IP65 (beschermd tegen binnendringen van stof en water)

*Afgesloten behuizing, geheel gevuld met absorberend materiaal.

OPMERKING: Deze luidspreker dient niet te worden geïnstalleerd in een behuizing met ventilatiegaten of poorten indien blootgesteld aan een buitenomgeving.

Afmetingen luidspreker



①	274 mm (10 ¹³ / ₁₆ in.)
②	Klassieke grille: 32 mm (1 ¹ / ₄ in.) Sportgrille: 37 mm (1 ⁷ / ₁₆ in.)
③	110 mm (4 ⁵ / ₁₆ in.)
④	221 mm (8 ¹¹ / ₁₆ in.)

Een Sportmodel subwoofer is afgebeeld, maar voor het Klassieke model gelden dezelfde afmetingen, tenzij anders aangegeven

Kompasveilige afstand subwoofer

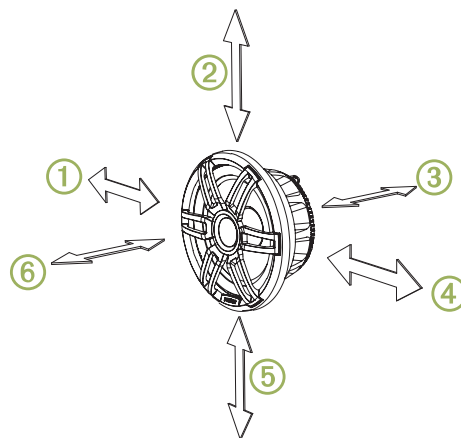
Alle luidsprekers en subwoofers bevatten magneten die waarschijnlijk interferentie veroorzaken met instrumenten op uw boot. De grootte van de magneet die wordt gebruikt in de subwoofer is van invloed op de hoeveelheid interferentie die de subwoofer kan veroorzaken.

Interferentie kan leiden tot afwijkingen en variaties in de metingen van gevoelige navigatieapparatuur, zoals magnetische kompassen. Deze afwijkingen kunnen onnauwkeurigheden of correcties in de metingen veroorzaken, maar zijn niet schadelijk voor de apparatuur. Als u de afwijkingen wilt verminderen, past u het kompas voor de afwijking aan met behulp van de instructies van de fabrikant of plaatst u de subwoofer uit de buurt van de navigatieapparatuur. Nadat u een bron van interferentie hebt verplaatst, moet u het kompas mogelijk opnieuw kalibreren.

Als u alleen een magnetisch kompas voor navigatie gebruikt, let er dan extra op dat u de luidspreker ver genoeg uit de buurt van het kompas plaatst om afwijkingen in de metingen te voorkomen.

Om afwijkingen in de navigatieapparatuur te voorkomen, moet u bij het positioneren van de subwoofer ten opzichte van de

navigatieapparatuur ten minste de afstand in de tabel hieronder aanhouden.



Richting vanaf subwoofer	10 inch subwoofer
①	280 cm (9 ft. 2 in.)
②	280 cm (9 ft. 2 in.)
③	370 cm (12 ft. 2 in.)
④	280 cm (9 ft. 2 in.)
⑤	295 cm (9 ft. 8 in.)
⑥	350 cm (11 ft. 6 in.)

Thiele-Small-parameters

Bij het ontwerpen van een aangepaste behuizing voor uw subwoofer kunt u gebruikmaken van de Thiele-Small-parameters (T/S).

OPMERKING: Thiele-Small-parameters kunnen variëren tussen meetmomenten, afhankelijk van de omgeving en hoeveel de luidspreker is gebruikt. Deze waarden zijn bedoeld als gids om te helpen met het ontwerp van de behuizing.

Elektrische Q-factor (Q_{es})	1,20
Mechanische Q-factor (Q_{ms})	5,80
Totale Q-factor (Q_{ts})	0,99
Resonantiefrequentie (F_s)	41 Hz
Equivalent luchtvolume (V_{as})	40 L

